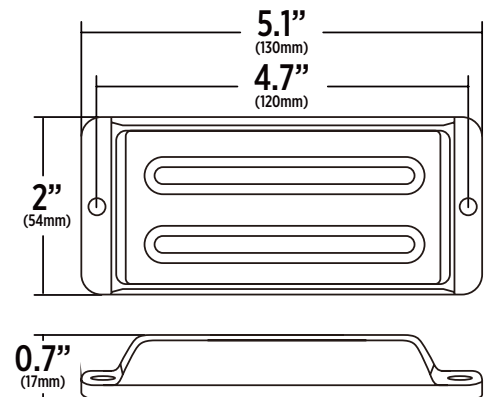
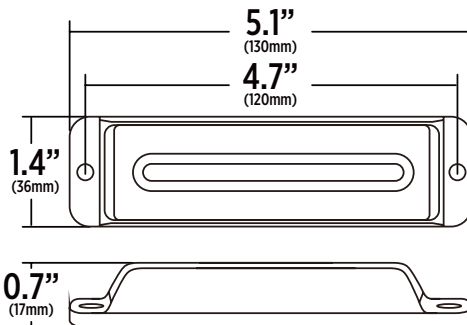
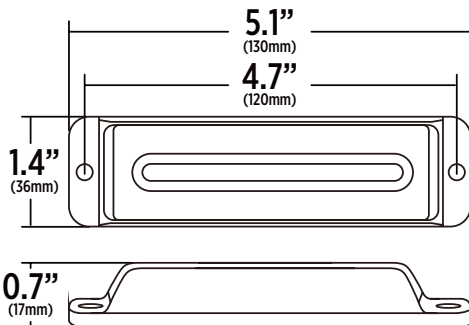
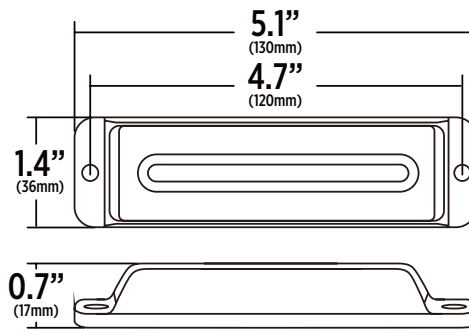
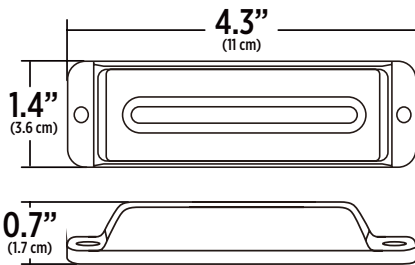


HELIX

SAFETY ESSENTIALS

HDR204 | HDR206 | HDR208 | HDR212 | HDR224

COMPLETE INSTALLATION GUIDE
GUIDE D'INSTALLATION COMPLET
GUÍA DE COMPLETA DE INSTALACIÓN



IMPORTANT: Before installing or operating this product, both the installation technician and the operator must read this manual in full. It contains critical information that can help prevent serious injury or damage. Be sure to provide these instructions to the end user.

CAUTION: These instructions are provided as a general guideline only. Additional mounting, wiring and/or weather seals may be required and are the responsibility of the installer. The manufacturer assumes no responsibility for the integrity of the installation.



WARNING!

- This document contains all the essential information required for the proper and safe installation of your HELIX product.
- Do not install or operate this product unless you have read and understood the information contained in this Installation Guide.
- Failure to follow these guidelines could result in damage to the product, vehicle and can even cause serious injury and/or death to those you are seeking to protect.
- Helix recommends this product to be installed professionally.

SAFETY PRECAUTIONS

- 1. Authorized Use Only:** This equipment is intended for use by authorized personnel only. Users are responsible for knowing and complying with all applicable city, state, and federal laws regarding emergency warning devices. The manufacturer assumes no liability for any loss resulting from improper use of this product.
- 2. Installer Qualifications:** Proper installation of this product requires the installer to have a solid understanding of automotive electronics, systems, and procedures.
- 3. Warranty Notice:** Using non-specified installation parts or hardware will void the product warranty.
- 4. Training and Installation:** Proper installation, along with comprehensive operator training in the use, care, and maintenance of emergency warning devices, is essential to ensure the well-being of both emergency personnel and the public.
- 5. Daily Inspection and Signal Projection:** It is the responsibility of the vehicle operator to verify daily that all features of this product are functioning correctly. While in use, ensure that the warning signal is not obstructed by vehicle components (e.g., open trunks, compartment doors), people, vehicles, or other barriers.
- 6. Operator Responsibility and Right-of-Way:** Emergency warning devices do not guarantee that all drivers will see or respond to the signal. Never assume the right-of-way. It is the operator's responsibility to ensure it is safe before entering intersections, driving against traffic, responding at high speeds, or maneuvering around traffic lanes.
- 7. Proper installation is critical:** Correct placement and installation are vital to the device's performance. Install the system to maximize output and ensure controls are within easy reach of the operator, allowing safe operation without taking eyes off the road.
- 8. Precautions for Drilling Installation:** If installation of this product involves drilling holes, the installer must ensure that no vehicle components or other critical parts are at risk of damage. Always inspect both sides of the mounting surface before drilling. After drilling, remove any burrs to ensure a clean, safe installation.
- 9. Warning: High-Intensity Light Hazard:** This product includes strobe lights, halogen bulbs, high-intensity LEDs, or a combination thereof. Do not look directly into the lights, as doing so may cause temporary blindness or permanent eye damage.
- 10. Check for obstructions during use:** Operators must ensure the warning signal is not blocked by open compartments, vehicle components, bystanders, or other obstacles. Always verify system functionality during use.
- 11. Optimal Placement of Controls for Operator:** Install the product controls in a location that is easily accessible and allows the operator to maintain continuous visual contact with the roadway. This ensures both convenience and visibility during operation.
- 12. Air Bag Deployment Zones:** Do not install this product or route any wiring in areas that may interfere with air bag deployment. Equipment in these zones can impair air bag effectiveness or become dangerous projectiles. Consult the vehicle owner's manual to identify deployment zones and ensure a mounting location that minimizes risk, especially avoiding head impact areas.
- 13. Electrical Guidelines:** Many emergency warning devices operate using high electrical voltages and/or currents. Always exercise caution when working with live electrical connections.
- 14. Grounding Requirements:** This product must be properly grounded. Improper grounding or shorted electrical connections can result in high current arcing, posing risks of personal injury and/or severe vehicle damage, including fire. If wires are not properly bonded and grounded, this could cause a fire hazard.
- 15. NOT FOLLOWING THESE PRECAUTIONS AND INSTRUCTIONS MAY CAUSE DAMAGE TO THE PRODUCT OR VEHICLE AND COULD LEAD TO SERIOUS INJURY TO YOU OR YOUR PASSENGERS.**

PART #	COMPLIANCES
HDR204A	CA T13, SAE J595 Class 1, R65, R65 XA1, R10, CE, UKCA, CISPR 25 Class 3
HDR204B	CA T13, SAE J595 Class 1, R65, R65 XB1, R10, CE, UKCA, CISPR 25 Class 3
HDR204G	R10, CE, UKCA, CISPR 25 Class 3
HDR206A	CA T13, SAE J595 Class 1, R65, R65 XA1, R10, CE, UKCA, CISPR 25 Class 3
HDR206B	CA T13, SAE J595 Class 1, R65, R65 XB1, R10, CE, UKCA, CISPR 25 Class 3
HDR206G	R10, CE, UKCA, CISPR 25 Class 3
HDR208AB	CA T13, SAE J595 Class 1, R65, R65 XA1, R65 XB1, R10, CE, UKCA, CISPR 25 Class 3
HDR208AC	CA T13, SAE J595 Class 1, R65, R65 XA1, R10, CE, UKCA, CISPR 25 Class 3
HDR208AG	CA T13, SAE J595 Class 1, R65, R65 XA1, R10, CE, UKCA, CISPR 25 Class 3

PART #	COMPLIANCES
HDR208AR	CA T13, SAE J595 Class 1, R65, R65 XA1, R10, CE, UKCA, CISPR 25 Class 3
HDR212AB	CA T13, SAE J595 Class 1, R65, R65 XA1, R65 XB1, R10, CE, UKCA, CISPR 25 Class 3
HDR212AC	CA T13, SAE J595 Class 1, R65, R65 XA1, R10, CE, UKCA, CISPR 25 Class 3
HDR212AG	CA T13, SAE J595 Class 1, R65, R65 XA1, R10, CE, UKCA, CISPR 25 Class 3
HDR212AR	CA T13, SAE J595 Class 1, R65, R65 XA1, R10, CE, UKCA, CISPR 25 Class 3
HDR224AB	CA T13, SAE J595 Class 1, R65, R65 XA1, R10, CE, UKCA, CISPR 25 Class 3
HDR224AC	CA T13, SAE J595 Class 1, R65, R65 XA1, R10, CE, UKCA, CISPR 25 Class 3
HDR224AG	CA T13, SAE J595 Class 1, R65, R65 XA1, R10, CE, UKCA, CISPR 25 Class 3
HDR224AR	CA T13, SAE J595 Class 1, R65, R65 XA1, R10, CE, UKCA, CISPR 25 Class 3

INSTALLATION

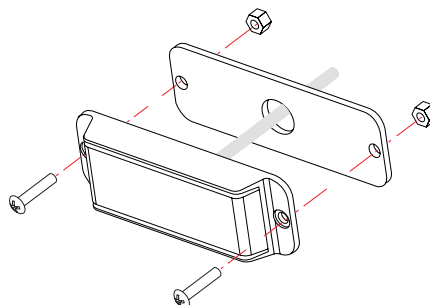
IMPORTANT INSTRUCTIONS:

- Disable power before wiring up the device
- Before drilling into any vehicle surface, ensure the area is clear of electrical wiring, fuel lines, upholstery, and any other components that could be damaged.
- This unit is a warning device and must be connected to its own separate, fused power point. This ensures the device will continue operating even if another electrical accessory fails.
- Carefully remove the lighting device from its packaging and place it on a flat, stable surface.
- Inspect the unit thoroughly for transit damage and confirm all parts are present.
- Do not use any parts that appear damaged or broken. If you find damage or missing parts, contact the transit company or HELIX immediately.

MOUNTING:

Install the included Foam Gasket and hardware as shown.

NOTE: Both self-tapping and round head screws can be chosen for mounting based on customers' need.



WIRING

Wiring Guidelines:

1. Disconnect Power First:
 - Always disable power before wiring the Directional.
2. Use Proper Connections:
 - Use larger wires and tight connections for longer component life.
 - For high-current wiring, use terminal blocks or soldered connections with shrink tubing.
 - **Do not** use insulation displacement connectors.
3. Protect Wiring:
 - Route wires through grommets with sealant when passing through compartment walls.
 - Use looms, ties, and grommets to secure and protect wiring from heat and moving parts.
 - Avoid splices; fewer splices = less voltage drops and failure risk.
4. Fuse and Breaker Placement:
 - Install fuses/circuit breakers close to the power source.
 - Size them properly to protect both the wiring and devices.
5. Grounding:
 - Ground only to substantial chassis parts, preferably the vehicle battery
6. Heat Sensitivity:
 - High temperatures reduce wire, fuse, and breaker capacity.
 - Circuit breakers may false trip if mounted in hot locations or run near capacity.
7. Additional Recommendations:
 - Apply dielectric grease around all electrical connections exposed to moisture or the ambient environment to help protect them from corrosion and water ingress.
 - All wiring should be a minimum of 18 AWG.
 - Install a 5-amp fuse on the positive line, as shown.
 - A switch can be added to control the on/off function. Run the ground wire directly back to the negative terminal of the battery.
 - It is recommended to upgrade to a thicker wire (e.g., 16 AWG) after the first 10 feet of wiring. For every additional 10 feet, continue switching to a thicker gauge to minimize voltage drop and maintain optimal performance.
 - Always use minimum wire sizes and recommendations provided by the manufacturer (where applicable)

SINGLE COLOR WIRING (HDR204A/B/G | HDR206A/B/G)

RED: +VDC (Positive Power Supply)

BLACK: Chassis Ground (Negative/Ground Connection)

YELLOW: Pattern Selection

WHITE: Synchronization

PATTERN SELECTION

To change patterns, momentarily connect **YELLOW** to **BLACK** to change patterns:

- Less than 1 second: Advance to the next pattern
- 1 to 3 seconds: Go to the previous pattern
- 3 to 5 seconds: Reset to Pattern #1
- More than 5 seconds: Turn off the unit
- When power is reapplied, the device will resume the last active pattern.

SYNCHRONIZATION

To synchronize all units:

- Connect all **WHITE** wires together

ALTERNATING FLASH

OPTION 1: ONE-TO-ONE ALTERNATING (MAX: TWO UNITS)

- Set both units to the same pattern (#12-16).
Example: Set both units to Pattern #13 for alternating flash.
- Wire Connections
 1. Connect **RED** wires of both units together (power)
 2. Connect **BLACK** wires together (ground)
 3. Connect **YELLOW** wires together (*pattern select*)
 4. Connect **WHITE** Wires together (sync)
- The two units will now alternate flash in the selected pattern.

OPTION 2: ONE-TO-MULTIPLE ALTERNATING (2+ UNITS)

NOTE: You can only have one unit alternate against all other units. Alternating between two groups (e.g., 4 vs. 4) is not supported.

- Set both units to the same pattern (#12-16).
Example: Set both units to Pattern #12 for alternating flash.
- Connect all units as follows
 1. Connect **RED** wires of all units together (power)
 2. Connect **BLACK** wires together (ground)
 3. Connect **YELLOW** wires together (*pattern select*)
 4. Connect **WHITE** Wires together (sync)

NOTE: In this configuration, one unit will be randomly selected to alternate with the rest of the group. The selected unit may change each time the system is restarted, as the selection process resets with each power cycle.

Example Option 2:

To set up 1 unit alternating with 7 others in Pattern #12 (Single Flash)

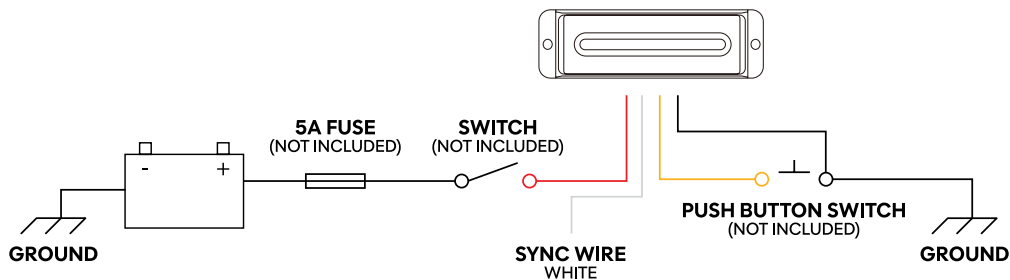
- Set all 8 units to Pattern #12.
- Connect all **RED**, **BLACK**, **YELLOW** and **WHITE** wires together.
- 1 unit will be selected at random to alternate flash against the other 7 units.

Reference wiring diagram on the following page

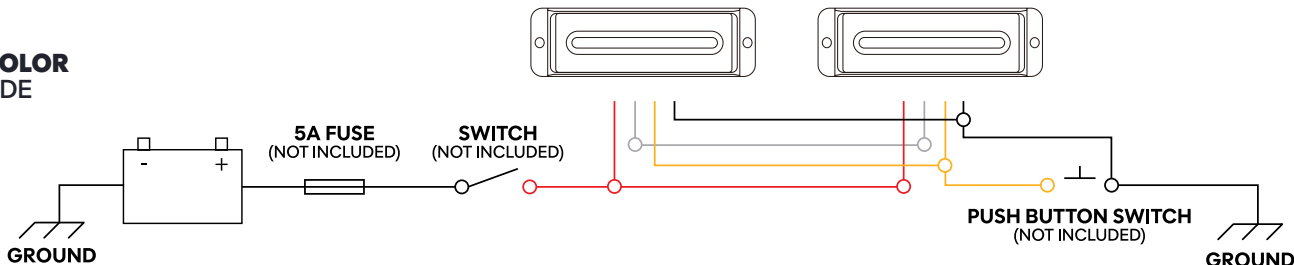
SINGLE COLOR WIRING DIAGRAM (HDR204A/B/G | HDR206A/B/G)

For Reference Only

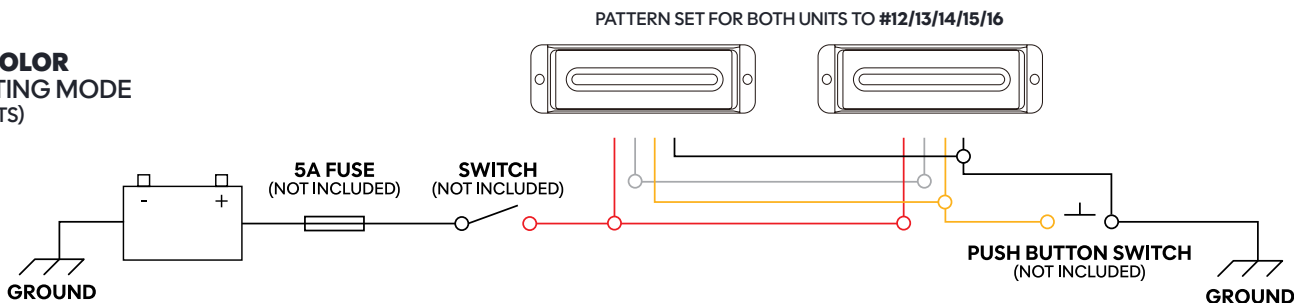
SINGLE COLOR SINGLE UNIT



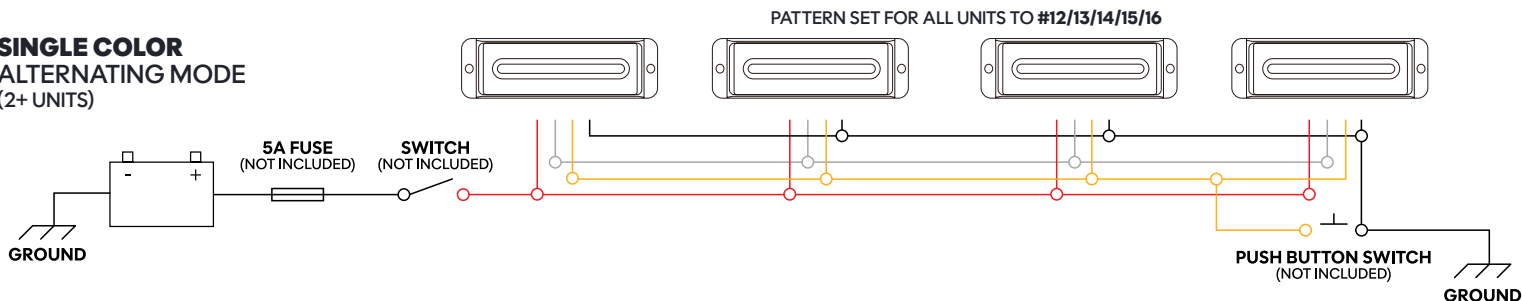
SINGLE COLOR SYNC MODE



SINGLE COLOR ALTERNATING MODE (MAX: 2 UNITS)



SINGLE COLOR ALTERNATING MODE (2+ UNITS)



NOTE: In this configuration, one unit will be randomly selected to alternate with the rest of the group. The selected unit may change each time the system is restarted, as the selection process resets with each power cycle.

DUAL COLOR WIRING (HDR208AB/AC/AG/AR | HDR212AB/AC/AG/AR | HDR224AB/AC/AG/AR)

RED: +VDC (Color #1)

GREY: +VDC (Color #2)

BLACK: Chassis Ground (Negative/Ground Connection)

YELLOW: Pattern Selection / Synchronization

WHITE: Alternate Flash Selection

PATTERN SELECTION

To change patterns, momentarily connect the **YELLOW** wire to the **RED** wire:

- Momentarily connect **YELLOW** to **RED** to change patterns:
- Less than 1 second: Advance to the next pattern
- 1 to 3 seconds: Go to the previous pattern
- 3 to 5 seconds: Reset to Pattern #1
- More than 5 seconds: Enter Low Power Mode
- To exit, press and hold again for More than 5 seconds

WIRING NOTE:

1. Always use a stopwatch when applying Yellow wire to Black wire to ensure accurate timing for desired function
2. After setting groups, power off and on again to activate the grouping.

SYNCHRONIZATION

To synchronize all units:

- Connect all **YELLOW** wires together
- This ensures all units flash in sync when pattern is changed

ALTERNATE FLASH CONFIGURATION

To configure alternating flash between two groups:

- Connect **YELLOW** wires of all units together (for synchronization)
- Assign groups:
 - Group A: Connect **WHITE** wire to **RED** (constant +VDC)
 - Group B: Leave **WHITE** wire disconnected
- Groups A and B will now flash alternately

To return to standard synchronized flashing, disconnect the **WHITE** wires from Group A.

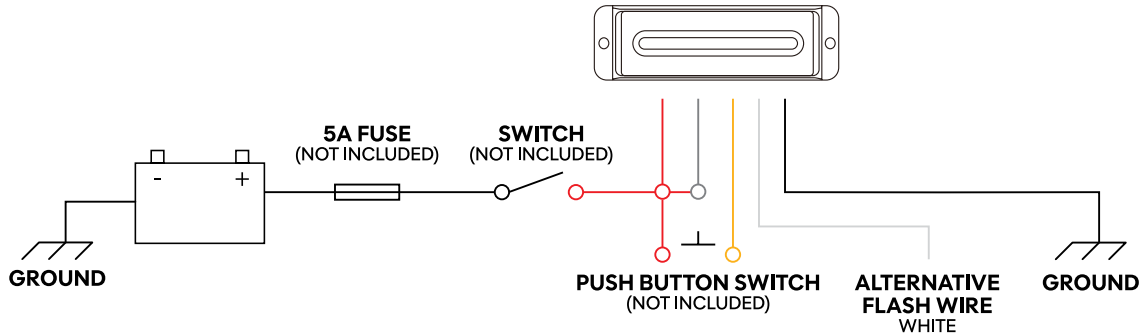
COLOR CONFIGURATION

- Applying only **RED** = Color #1
- Applying only **GREY** = Color #2
- Applying both **RED** and **GREY** together = Color #1 & Color #2 flash alternately

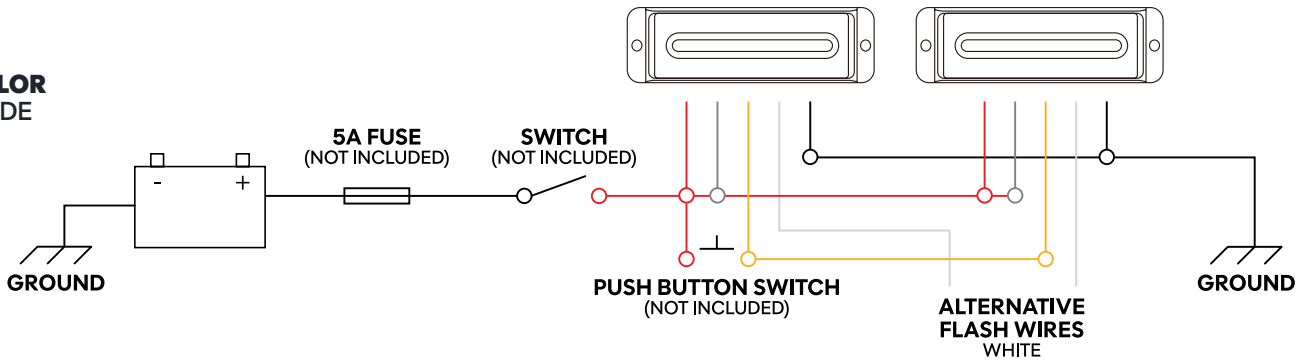
DUAL COLOR WIRING DIAGRAM (HDR208AB/AC/AG/AR | HDR212AB/AC/AG/AR | HDR224AB/AC/AG/AR)

For Reference Only

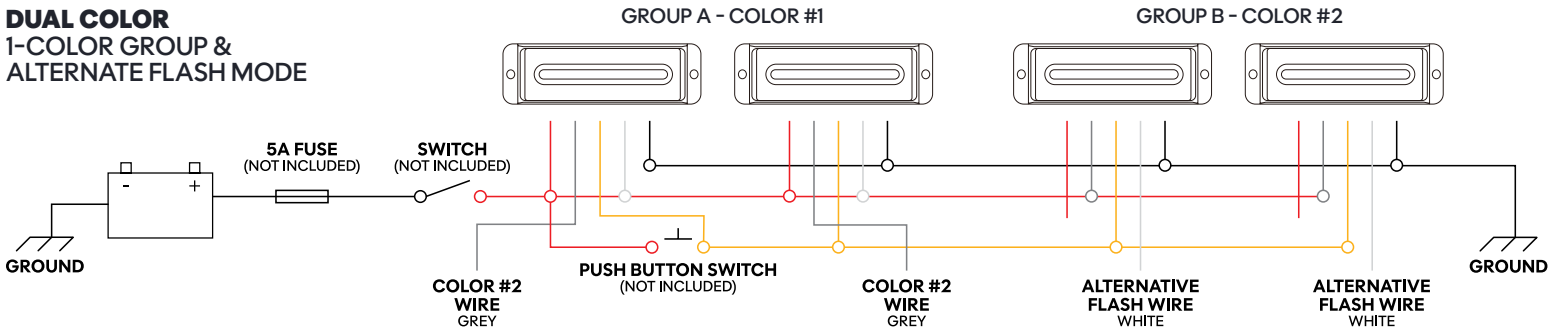
DUAL COLOR SINGLE UNIT



DUAL COLOR SYNC MODE

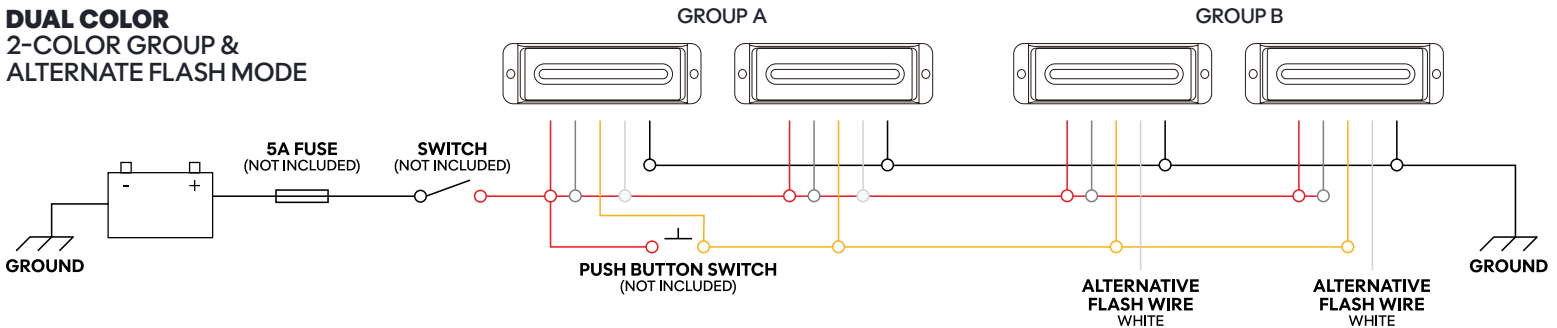


DUAL COLOR 1-COLOR GROUP & ALTERNATE FLASH MODE



NOTE: In this configuration, Group A will flash Color #1, Group B will flash Color #2.

DUAL COLOR 2-COLOR GROUP & ALTERNATE FLASH MODE



NOTE: In this configuration, Group A will alternate flashing between Color #1 and Color #2, and Group B will do the same. Additionally, Group A and Group B will alternate their flashing with each other.

SINGLE COLOR FLASH PATTERNS
HDR204A / HDR204B / HDR204G / HDR206A / HDR206B / HDR206G

#	FLASH PATTERN	#	FLASH PATTERN
1	Single Flash (R65)	14	Triple Flash - Alternate
2	Single Flash - Slow (CA T13)	15	Quad Flash - Alternate
3	Double Flash (Class 1 & R65)	16	Octa Flash - Quick - Alternate
4	Double Flash - Slow	17	Single Flash - Split
5	Triple Flash	18	Double Flash - Split
6	Quad Flash	19	Quad Flash - Split
7	Quad Flash - Slow	20	Octa Flash - Split
8	Octa Flash - Quick	21	Single Flash - Split - Accelerate
9	Octa Flash - Slow	22	Double Flash - Split - Accelerate
10	Twelve Flash	23	SOS Flash
11	Sixteen Flash	24	Cycle(1,8,3,9,4,18)
12	Single Flash - Alternate	25	Cycle(2,7,9,11,19,21)
13	Double Flash - Alternate	26	Steady On

DUAL COLOR FLASH PATTERNS
HDR208 / HDR212 / HDR224

#	FLASH PATTERN	#	FLASH PATTERN
1	Single Flash	11	Double Flash - Slow
2	Double Flash (Class 1)	12	Triple Flash
3	Quad Flash	13	Quad Flash - Slow
4	Octa Flash	14	Octa Flash - Slow
5	Single Flash - Alternate	15	Twelve Flash
6	Double Flash - Alternate	16	Single flash - Accelerate Dual color: Left C1 Right C2
7	Quad Flash - Alternate	17	Double Flash - Accelerate
8	Octa flash - Alternate Dual color: Left C1 Right C2	18	SOS Flash
9	Single Flash - Slow (CA T13)	19	Steady On
10	Single Flash - Breath-Like		

MAINTENANCE

- Clean the outer lens using only soap and water. Avoid using any other chemicals, as they may cause the lens to crack (crazing) or discolor prematurely. Damaged or discolored lenses lose effectiveness and must be replaced immediately.
- Regularly inspect and test this product to ensure it's functioning correctly and securely mounted.
- Do not use a pressure washer to clean this product.

IMPORTANT

Before returning the vehicle to service, visually check that this product—and all other vehicle equipment—is working properly.

TROUBLESHOOTING

Most issues—such as intermittent operation, erratic behavior, or complete failure—are typically caused by wiring or battery problems. Please check all wiring, connections, fuse, switch, and battery voltage to ensure the device is receiving the correct voltage.

If the issue persists, contact your local dealer for a warranty replacement or reach out to HELIX Customer Service at 1-888-950-2227 for further assistance.

CALIFORNIA TITLE 13 INSTALLATION REQUIREMENTS

§ 685. Installation and Maintenance.

Lighting equipment shall be securely mounted on a rigid part of the vehicle to prevent noticeable vibration of the beam and shall be maintained with the proper aim when the vehicle is stationary and in motion. No lighting device, unless otherwise permitted, shall be mounted so any portion of the vehicle, load, or vehicle equipment interferes with the distribution of light or decreases its intensity within the photometric test angles unless an additional device is installed so the combination of the two meets these requirements. Mounting heights shall be measured from the center of the lamp or reflector to the level surface upon which the vehicle stands when it is without load.

Credits

Note: Authority cited: Section 26103, Vehicle Code. Reference: Sections 24012 and 26103, Vehicle Code.

§ 686. Mounting of Aftermarket Devices.

Aftermarket lamps, with orientation markings such as "top" shall be mounted in accordance with the markings. Sealed and semi sealed optical units shall be installed with the lettering on the lens face right side up. Front and rear reflex reflectors shall be securely mounted on a rigid part of the vehicle with the plane of the lens perpendicular to the roadway and parallel to the rear axle. Side reflex reflectors shall be mounted with the lens face perpendicular to the roadway and parallel to the rear wheels. Aftermarket devices with nonadjustable housings shall be mounted with the base on a horizontal or vertical surface, whichever is appropriate, unless different mounting instructions are included with such devices when offered for sale.

Credits

Note: Authority cited: Section 26103, Vehicle Code. Reference: Sections 24012 and 26103, Vehicle Code.

§ 687. Mounting of Original Equipment Devices.

Original equipment lamps and reflex reflectors designed for a particular make of vehicle and installed on another vehicle shall be mounted at the same angle as on the vehicle for which they were designed. They need not be mounted at the same height or lateral spacing as on the original vehicle but must comply with the appropriate height and location limitations in this title and the Vehicle Code.

Credits

Note: Authority cited: Section 26103, Vehicle Code. Reference: Sections 24012 and 26103, Vehicle Code.

CALIFORNIA TITLE 13 INSTALLATION REQUIREMENTS

§ 696. School Bus Warning Lamps.

- a) Number of Lamps and Required Locations. Four warning lamps are required on each school bus. Two alternately flashing lamps shall be rigidly mounted on the front, one at each side, at the same height above the top of the windshield; and two alternately flashing lamps shall be rigidly mounted on the rear, one at each side, at the same height, with the bottom edge of each lens not lower than the top line of the side window openings. A panel shall be installed to serve as a background for warning lamps that extend above the top of a school bus.
- b) Operating Switches. School bus warning lamp switches operated manually by the driver shall be located within easy reach of the driver's position.
- c) Pilot Indicator. A bright visible flashing signal not less than 12.7 mm (0.5 in.) in diameter shall be included in the circuit to give a clear and unmistakable indication to the driver when the warning signals are turned on. The indicator shall not be obscured from the driver's view by any part of the vehicle.
- d) Spacing and Visibility. Front and rear warning lamps shall be spaced as far apart laterally as is practicable, and in no case shall the distance between lamps be less than 100 cm (39 in.). Visibility of front and rear warning lamps shall be unobstructed by any part of the vehicle from 5 deg above to 10 deg below horizontal and from 30 deg to the right to 30 deg to the left of the center line of the lamps.
- e) Warning Lamp Installation Dates. Warning lamps installed on school buses after 1965 shall be red Class C warning lamps. Those installed before 1966 and meeting requirements in effect at time of installation may continue to be used on the school buses on which they were installed.

Credits

Note: Authority cited: Section 26103, Vehicle Code. Reference: Sections 24012, 25257 and 26103, Vehicle Code.

§ 700. Warning Lamps.

Required front warning lamps other than school bus warning lamps, shall be mounted so the entire projected area of the lens is visible from all eye heights of drivers of other vehicles at angles within 45 deg left to 45 deg right of the front of the vehicle. If the light within these required angles is blocked by the vehicle or any substantial object on it, an additional warning lamp shall be displayed within the obstructed angle. Warning lamps may be mounted at any height.

Credits

Note: Authority cited: Section 26103, Vehicle Code. Reference: Sections 24012 and 26103, Vehicle Code.



Warranty:

YOURTRUCKSHOP INC. ("HELIX") warrants that for a period of [sixty (60) months] from the date of purchase of the Product from HELIX or its distributor (the "Warranty Period"), such Product is fit for ordinary use and free from hidden defect, and will materially conform to Helix's published specifications in effect as of the date of such purchase (the "Warranty").

THE WARRANTY DOES NOT COVER PRODUCTS WHERE THE PRODUCTS (A) HAVE BEEN SUBJECTED TO ABUSE, MISUSE, TAMPERING NEGLIGENCE OR FAULT, ACCIDENT, IMPROPER TESTING, IMPROPER INSTALLATION, IMPROPER STORAGE, IMPROPER HANDLING, ABNORMAL PHYSICAL STRESS, ABNORMAL ENVIRONMENTAL CONDITIONS, IMPROPER INSTALLATION OR OPERATION OR USE CONTRARY TO ANY INSTRUCTIONS ISSUED BY HELIX; (B) HAVE BEEN RECONSTRUCTED, REPAIRED, OR ALTERED BY PERSONS OTHER THAN HELIX OR ITS AUTHORIZED REPRESENTATIVES; OR (C) HAVE NOT BEEN MAINTAINED IN ACCORDANCE WITH THE MAINTENANCE PROCEDURES SET FORTH IN HELIX'S WIRING DIAGRAM, PRODUCT SPECIFICATIONS AND COMPLETE INSTALLATION GUIDE.

All warranty/return claims must be requested through our authorized HELIX Distributor. HELIX will only process claims from an authorized HELIX Distributor. For more information on the warranty/return policy, please contact your HELIX Distributor.

Exclusion of Other Warranties:

Notice to Québec Consumers

Notwithstanding the below, the Consumer Protection Act (Québec) gives Consumers (as defined in said Act) the following legal warranty on all goods they purchase or lease from a merchant or manufacturer. The goods must be:

- Fit for the purposes for which they are ordinarily used; and
- Durable in normal use for a reasonable length of time, which may vary according to the price paid, the terms of the contract and the conditions of use.

EXCEPT FOR THE EXPRESS WARRANTIES SET FORTH ABOVE IN "WARRANTY", HELIX MAKES NO WARRANTY WHATSOEVER WITH RESPECT TO THE PRODUCTS, INCLUDING ANY (A) WARRANTY OR CONDITION OF MERCHANTABILITY; (B) WARRANTY OR CONDITION OF FITNESS FOR A PARTICULAR PURPOSE; OR (C) WARRANTY OR CONDITION OF QUALITY OR OF NO LATENT DEFECTS, WHETHER EXPRESS OR IMPLIED BY LAW, COURSE OF DEALING, COURSE OF PERFORMANCE, USAGE OF TRADE, OR OTHERWISE. BUYER ACKNOWLEDGES THAT IT HAS NOT RELIED UPON ANY REPRESENTATION, CONDITION OR WARRANTY MADE BY HELIX, OR ANY OTHER PERSON ON HELIX'S BEHALF.

Remedies and Limitation of Liability:

HELIX'S SOLE LIABILITY AND BUYER'S EXCLUSIVE REMEDY IN CONTRACT, TORT (INCLUDING NEGLIGENCE AND FAULT), OR UNDER ANY OTHER THEORY AGAINST HELIX REGARDING THE PRODUCT AND ITS USE SHALL BE, AT HELIX'S DISCRETION, EITHER THE REPLACEMENT OR REPAIR OF THE PRODUCT, OR THE REFUND OF THE PURCHASE PRICE IN FULL. IN NO EVENT SHALL HELIX'S LIABILITY ARISING OUT OF THIS WARRANTY OR ANY OTHER CLAIM RELATED TO THE HELIX'S PRODUCT EXCEED THE AMOUNT PAID FOR THE PRODUCT BY BUYER. IN NO EVENT SHALL HELIX BE LIABLE FOR LOST PROFITS, THE COST OF SUBSTITUTE EQUIPMENT OR LABOUR, PROPERTY DAMAGE, OR SPECIAL, CONSEQUENTIAL, OR INCIDENTAL DAMAGES BASED UPON ANY CLAIM FOR BREACH OF CONTRACT, IMPROPER INSTALLATION, NEGLIGENCE, FAULT OR OTHER CLAIM, EVEN IF HELIX OR A REPRESENTATIVE OF HELIX HAS BEEN ADVISED OF THE POSSIBILITY OF SUCH DAMAGES. HELIX SHALL HAVE NO FURTHER OBLIGATION OR LIABILITY WITH RESPECT TO THE PRODUCT OR ITS SALE, OPERATION AND USE, AND HELIX NEITHER ASSUMES NOR AUTHORIZES THE ASSUMPTION OF ANY OTHER OBLIGATION OR LIABILITY IN CONNECTION WITH SUCH PRODUCT.

Governing Law:

IF YOU ARE A CONSUMER (AS DEFINED IN THE QUÉBEC CONSUMER PROTECTION ACT) RESIDENT IN QUÉBEC, THIS WARRANTY AND ALL RELATED DOCUMENTS ARE GOVERNED BY THE LAWS OF THE PROVINCE OF QUÉBEC AND THE LAWS OF CANADA APPLICABLE THEREIN.

Except to the extent required by any applicable consumer protection legislation, this Warranty and all related documents are governed by the laws of the Province of Ontario and the laws of Canada applicable therein. Additionally, you may have other legal rights which vary from jurisdiction to jurisdiction. To the extent that the consumer protection legislation in your province or territory take precedence over the present Warranty ("Governing Law"), your rights will be determined by the Governing Law applicable to you.

No part of this document may be reproduced or transmitted in any form without written permission from the author. © 2025 YourTruckShop Inc. All rights reserved.

IMPORTANT : Avant d'installer ou d'utiliser ce produit, le technicien chargé de l'installation et l'opérateur doivent lire ce manuel dans son intégralité. Il contient des informations essentielles qui peuvent aider à prévenir des blessures graves ou des dommages importants. Veuillez à fournir ces instructions à l'utilisateur final.

ATTENTION : Ces instructions sont fournies à titre indicatif uniquement. Des fixations, câblages et/ou joints d'étanchéité supplémentaires peuvent être nécessaires et relèvent de la responsabilité de l'installateur. Le fabricant décline toute responsabilité quant à l'intégrité de l'installation.



ATTENTION!

- Ce document contient toutes les informations essentielles nécessaires à l'installation correcte et sécurisée de votre produit HELIX.
- N'installez pas et n'utilisez pas ce produit avant d'avoir lu et compris les informations contenues dans ce guide d'installation.
- Le non-respect de ces consignes peut endommager le produit et le véhicule, voire causer des blessures graves, voire mortelles, aux personnes que vous cherchez à protéger.
- HELIX recommande de faire installer ce produit par un professionnel.

GUIDE DE SÉCURITÉ

- Utilisation Autorisée Uniquement :** Cet équipement est destiné exclusivement à un usage par du personnel autorisé. Les utilisateurs sont responsables de la connaissance et du respect de toutes les lois municipales, étatiques et fédérales applicables concernant les dispositifs d'alerte d'urgence. Le fabricant décline toute responsabilité en cas de perte résultant d'une utilisation inappropriée de ce produit.
- Qualifications de l'installateur :** L'installation correcte de ce produit exige que l'installateur ait une solide compréhension de l'électronique automobile, des systèmes et des procédures.
- Avis de garantie :** L'utilisation de pièces ou de matériels d'installation non spécifiés annulera la garantie du produit.
- Formation et Installation :** Une installation correcte, accompagnée d'une formation complète de l'opérateur sur l'utilisation, l'entretien et la maintenance des dispositifs d'alerte d'urgence, est essentielle pour garantir la sécurité du personnel d'urgence ainsi que celle du public.
- Inspection Quotidienne et Projection du Signal :** Il incombe à l'opérateur du véhicule de vérifier quotidiennement que toutes les fonctions de ce produit sont opérationnelles. Lors de son utilisation, il faut s'assurer que le signal d'alerte n'est pas obstrué par des éléments du véhicule (par exemple, coffres ouverts, portes de compartiment), des personnes, des véhicules ou d'autres obstacles.
- Responsabilité de l'Opérateur et Priorité de Passage :** Les dispositifs d'alerte d'urgence ne garantissent pas que tous les conducteurs verront ou réagiront au signal. Ne jamais présumer de la priorité de passage. Il appartient à l'opérateur de s'assurer que la situation est sécuritaire avant d'entrer dans une intersection, de circuler à contre-sens, de répondre à une urgence à grande vitesse ou de manœuvrer entre les voies de circulation.
- Une installation correcte est essentielle :** Le positionnement et l'installation adéquats sont cruciaux pour les performances de l'appareil. Installez le système de manière à maximiser la sortie et à garantir que les commandes soient facilement accessibles à l'opérateur, permettant ainsi une utilisation sûre sans quitter la route des yeux.
- Précautions pour l'installation par perçage :** Si l'installation de ce produit implique le perçage de trous, l'installateur doit s'assurer qu'aucun composant du véhicule ni aucune pièce critique ne risque d'être endommagé. Inspectez toujours les deux côtés de la surface de montage avant de percer. Après le perçage, retirez toutes les bavures pour garantir une installation propre et sûre.
- Avertissement : Danger lié à une lumière de haute intensité :** Ce produit comprend des feux stroboscopiques, des ampoules halogènes, des DEL haute intensité ou une combinaison de ceux-ci. Ne regardez pas directement ces lumières, car cela peut entraîner une cécité temporaire ou des lésions oculaires permanentes.
- Vérification des Obstructions lors de l'utilisation :** Les opérateurs doivent s'assurer que le signal d'alerte n'est pas bloqué par des compartiments ouverts, des composants du véhicule, des passants ou d'autres obstacles. Vérifiez toujours le bon fonctionnement du système pendant son utilisation.
- Placement optimal des commandes pour l'opérateur :** Installez les commandes du produit à un endroit facilement accessible, permettant à l'opérateur de garder un contact visuel continu avec la route. Cela assure à la fois commodité et sécurité pendant l'utilisation.
- Zones de déploiement des coussins gonflables :** N'installez pas ce produit et ne faites pas passer de câbles dans les zones pouvant interférer avec le déploiement des coussins gonflables. Un équipement situé dans ces zones peut réduire l'efficacité des coussins ou devenir un projectile dangereux. Consultez le manuel du propriétaire du véhicule pour identifier les zones de déploiement et choisir un emplacement de montage minimisant les risques, en évitant notamment les zones de contact avec la tête.
- Consignes Électriques :** De nombreux dispositifs d'alerte d'urgence fonctionnent avec des tensions et/ou courants électriques élevés. Faites toujours preuve de prudence lorsque vous travaillez avec des connexions électriques sous tension.
- Exigences de Mise à la Terre :** Ce produit doit être correctement mis à la terre. Une mise à la terre inadéquate ou des connexions électriques en court-circuit peuvent provoquer des arcs électriques à fort courant, entraînant des risques de blessures personnelles et/ou des dommages graves au véhicule, y compris un incendie. Si les fils ne sont pas correctement reliés et mis à la terre, cela peut constituer un danger d'incendie.

15. NE PAS RESPECTER CES PRÉCAUTIONS ET INSTRUCTIONS PEUT CAUSER DES DOMMAGES AU PRODUIT OU AU VÉHICULE ET ENTRAÎNER DES BLESSURES GRAVES POUR VOUS OU VOS PASSAGERS.

PIÈCE #	CONFORMITÉS
HDR204A	CA T13, SAE J595 Classe 1, R65, R65 XA1, R10, CE, UKCA, CISPR 25 Classe 3
HDR204B	CA T13, SAE J595 Classe 1, R65, R65 XB1, R10, CE, UKCA, CISPR 25 Classe 3
HDR204G	R10, CE, UKCA, CISPR 25 Classe 3
HDR206A	CA T13, SAE J595 Classe 1, R65, R65 XA1, R10, CE, UKCA, CISPR 25 Classe 3
HDR206B	CA T13, SAE J595 Classe 1, R65, R65 XB1, R10, CE, UKCA, CISPR 25 Classe 3
HDR206G	R10, CE, UKCA, CISPR 25 Classe 3
HDR208AB	CA T13, SAE J595 Classe 1, R65, R65 XA1, R65 XB1, R10, CE, UKCA, CISPR 25 Classe 3
HDR208AC	CA T13, SAE J595 Classe 1, R65, R65 XA1, R10, CE, UKCA, CISPR 25 Classe 3
HDR208AG	CA T13, SAE J595 Classe 1, R65, R65 XA1, R10, CE, UKCA, CISPR 25 Classe 3

PIÈCE #	CONFORMITÉS
HDR208AR	CA T13, SAE J595 Classe 1, R65, R65 XA1, R10, CE, UKCA, CISPR 25 Classe 3
HDR212AB	CA T13, SAE J595 Classe 1, R65, R65 XA1, R65 XB1, R10, CE, UKCA, CISPR 25 Classe 3
HDR212AC	CA T13, SAE J595 Classe 1, R65, R65 XA1, R10, CE, UKCA, CISPR 25 Classe 3
HDR212AG	CA T13, SAE J595 Classe 1, R65, R65 XA1, R10, CE, UKCA, CISPR 25 Classe 3
HDR212AR	CA T13, SAE J595 Classe 1, R65, R65 XA1, R10, CE, UKCA, CISPR 25 Classe 3
HDR224AB	CA T13, SAE J595 Classe 1, R65, R65 XA1, R10, CE, UKCA, CISPR 25 Classe 3
HDR224AC	CA T13, SAE J595 Classe 1, R65, R65 XA1, R10, CE, UKCA, CISPR 25 Classe 3
HDR224AG	CA T13, SAE J595 Classe 1, R65, R65 XA1, R10, CE, UKCA, CISPR 25 Classe 3
HDR224AR	CA T13, SAE J595 Classe 1, R65, R65 XA1, R10, CE, UKCA, CISPR 25 Classe 3

INSTALLATION

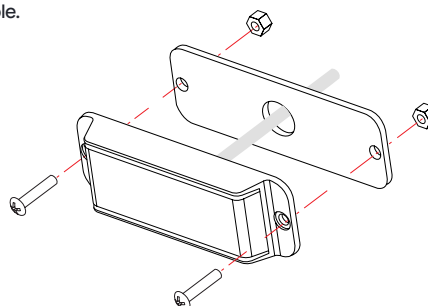
IMPORTANT INSTRUCTIONS:

- Coupez l'alimentation avant de procéder au câblage de l'appareil.
- Avant de percer une surface du véhicule, assurez-vous que la zone est exempte de câblage électrique, de conduites de carburant, de garnitures intérieures ou de tout autre composant susceptible d'être endommagé.
- Cette unité est un dispositif d'alerte et doit être connectée à une source d'alimentation séparée, protégée par un fusible. Cela garantit que le dispositif continuera de fonctionner même si un autre accessoire électrique tombe en panne.
- Retirez soigneusement le dispositif d'éclairage de son emballage et placez-le sur une surface plane et stable.
- Inspectez attentivement l'unité pour vérifier qu'elle n'a pas été endommagée pendant le transport et assurez-vous que toutes les pièces sont présentes.
- N'utilisez aucune pièce qui semble endommagée ou cassée. En cas de dommage ou de pièce manquante, contactez immédiatement la compagnie de transport ou HELIX.

MONTAGE :

Installez le joint en mousse et le matériel fournis comme indiqué.

REMARQUE : Vous pouvez choisir entre des vis autotaraudeuses et des vis à tête ronde pour le montage, selon les besoins des clients.



CÂBLAGE

Directives de câblage:

- Débranchez d'abord l'alimentation :
 - Coupez toujours l'alimentation avant de câbler la Directionnelle.
- Utilisez des connexions appropriées :
 - Utilisez des fils de plus grande section et des connexions serrées pour prolonger la durée de vie des composants.
 - Pour le câblage à fort courant, utilisez des blocs de jonction ou des connexions soudées avec gaine thermorétractable.
 - **N'utilisez pas** de connecteurs à déplacement d'isolant.
- Protégez le câblage :
 - Faites passer les fils à travers des passe-fils avec un produit d'étanchéité lorsqu'ils traversent des cloisons.
 - Utilisez des gaines, des attaches et des passe-fils pour fixer et protéger le câblage contre la chaleur et les pièces mobiles.
 - Évitez les raccords ; moins de raccords = moins de pertes de tension et de risques de défaillance.
- Positionnement des fusibles et disjoncteurs :
 - Installez les fusibles/disjoncteurs près de la source d'alimentation.
 - Choisissez leur taille de manière à protéger à la fois le câblage et les appareils.
- Mise à la terre :
 - Effectuez la mise à la terre uniquement sur des parties importantes du châssis, de préférence la batterie du véhicule.
- Sensibilité à la chaleur :
 - Les hautes températures réduisent la capacité des fils, fusibles et disjoncteurs.
 - Les disjoncteurs peuvent se déclencher à tort s'ils sont montés dans des endroits chauds ou utilisés près de leur capacité maximale.
- Recommandations supplémentaires :
 - Appliquez de la graisse diélectrique autour de toutes les connexions électriques exposées à l'humidité ou à l'environnement ambiant afin de les protéger contre la corrosion et l'infiltration d'eau.
 - Tous les câblages doivent avoir une section minimale de 18 AWG.
 - Installez un fusible de 5 ampères sur la ligne positive, comme indiqué ci-dessous.
 - Un interrupteur peut être ajouté pour contrôler la fonction marche/arrêt. Faites revenir le fil de masse directement à la borne négative de la batterie.
 - Il est recommandé de passer à un fil de plus grosse section (par exemple 16 AWG) après les 10 premiers pieds (3 mètres) de câblage. Pour chaque tranche de 10 pieds supplémentaire, continuez à passer à un calibre plus épais afin de minimiser la chute de tension et maintenir des performances optimales.
 - Toujours utiliser les tailles de câbles minimales et suivre les recommandations fournies par le fabricant (le cas échéant).

CÂBLAGE (HDR204A/B/G | HDR206A/B/G)

ROUGE: +VDC (alimentation positive)

NOIR: Masse du châssis (connexion négative/masse)

JAUNE: Sélection des motifs

BLANC: Synchronisation

SÉLECTION DU MOTIF

Pour changer de motif, connectez momentanément le fil **JAUNE** au fil **NOIR** :

- Moins d'une seconde : passe au motif suivant
- 1 à 3 secondes : revient au motif précédent
- 3 à 5 secondes : revient au motif n° 1
- Plus de 5 secondes : éteint l'appareil
- Lorsque l'alimentation est rétablie, l'appareil reprend le dernier motif actif.

SYNCHRONISATION

Pour synchroniser toutes les unités :

- Connectez tous les fils **BLANCS** ensemble

CLIGNOTEMENT ALTERNÉ

OPTION 1 : ALTERNANCE UN À UN (MAX : DEUX UNITÉS)

- Réglez les deux unités sur le même motif (n° 12 à 16).
Exemple : réglez les deux unités sur le motif n° 13 pour un clignotement alterné.
- Connexions des fils
 1. Connectez les fils **ROUGES** des deux unités entre eux (alimentation)
 2. Connectez les fils **NOIRS** entre eux (mise à la terre)
 3. Connectez les fils **JAUNES** entre eux (sélection du motif)
 4. Connectez les fils **BLANCS** entre eux (synchronisation)
- Les deux unités clignoteront désormais en alternance selon le motif sélectionné.

OPTION 2 : ALTERNANCE UNIQUE À MULTIPLE (2 UNITÉS OU PLUS)

REMARQUE : vous ne pouvez faire alterner qu'une seule unité par rapport à toutes les autres unités. L'alternance entre deux groupes (par exemple, 4 contre 4) n'est pas prise en charge.

- Réglez toutes les unités sur le même motif (n° 12 à 16).
Exemple : réglez toutes les unités sur le motif n° 12 pour un clignotement alterné.
- Connectez toutes les unités comme suit
 1. Connectez les fils **ROUGES** des deux unités entre eux (alimentation)
 2. Connectez les fils **NOIRS** entre eux (mise à la terre)
 3. Connectez les fils **JAUNES** entre eux (sélection du motif)
 4. Connectez les fils **BLANCS** entre eux (synchronisation)

REMARQUE : In this configuration, one unit will be randomly selected to alternate with the rest of the group. The selected unit may change each time the system is restarted, as the selection process resets with each power cycle.

Exemple Option 2 :

- Pour configurer 1 unité en alternance avec 7 autres dans le motif n° 12 (clignotement simple)
- Réglez les 8 unités sur le motif n° 12.
 - Connectez tous les fils **ROUGE, NOIR, JAUNE** et **BLANC** ensemble.
 - 1 unité sera sélectionnée au hasard pour clignoter en alternance avec les 7 autres unités.

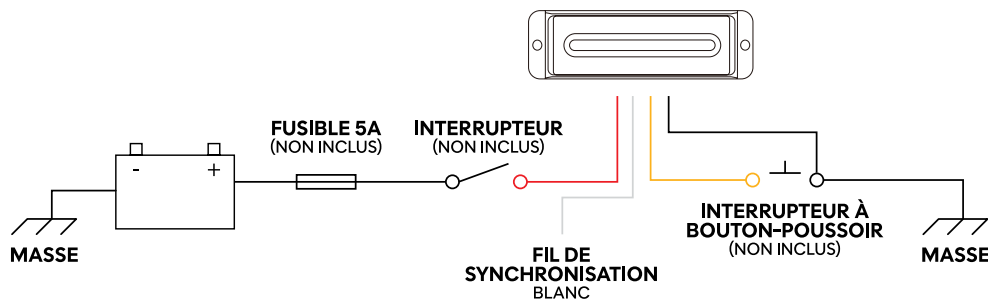
Reportez-vous au schéma de câblage à la page suivante.

SCHÉMA DE CÂBLAGE À COULEUR UNIQUE (HDR204A/B/G | HDR206A/B/G)

À titre de référence uniquement

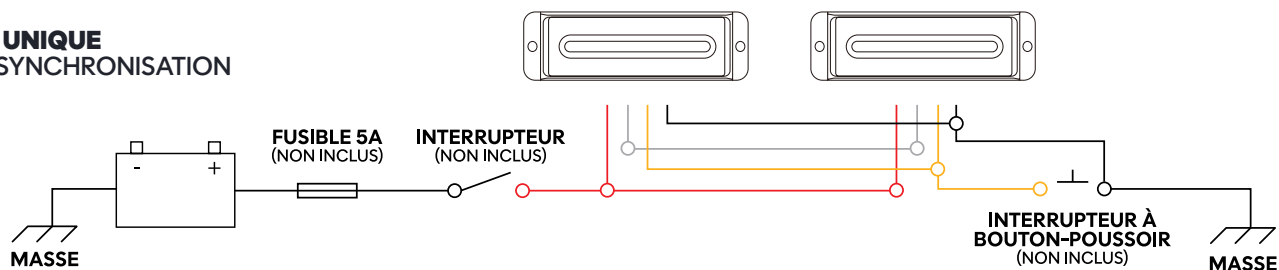
COULEUR UNIQUE

UNITÉ UNIQUE



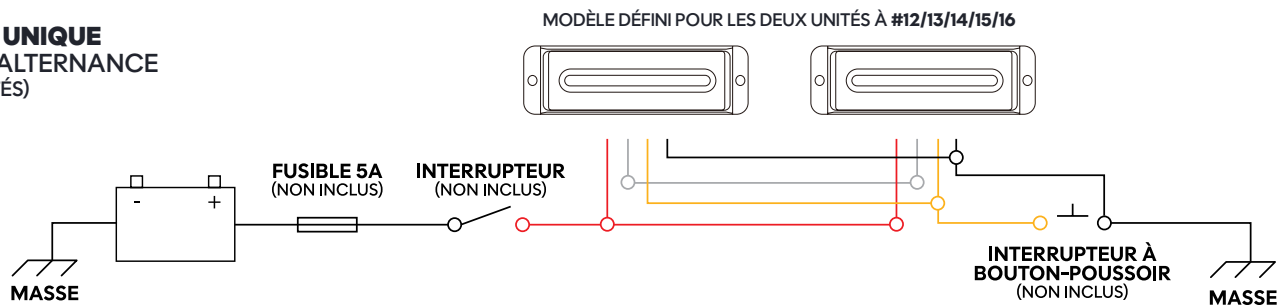
COULEUR UNIQUE

MODE DE SYNCHRONISATION



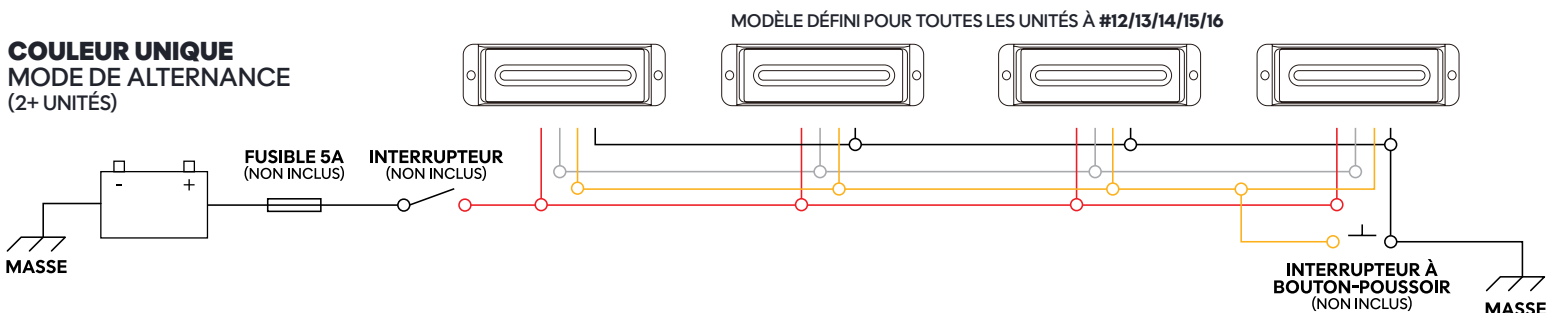
COULEUR UNIQUE

MODE DE ALTERNANCE (MAX: 2 UNITÉS)



COULEUR UNIQUE

MODE DE ALTERNANCE (2+ UNITÉS)



REMARQUE: Dans cette configuration, une unité sera sélectionnée aléatoirement pour alterner avec le reste du groupe. L'unité sélectionnée peut changer à chaque redémarrage du système, car le processus de sélection se réinitialise à chaque cycle d'alimentation.

CÂBLAGE BICOLORE

(HDR208AB/AC/AG/AR | HDR212AB/AC/AG/AR | HDR224AB/AC/AG/AR)

ROUGE: +VDC (Couleur #1)

GRIS: +VDC (Couleur #2)

NOIR: Masse du châssis (connexion négative/masse)

JAUNE: Sélection des motifs / Synchronisation

BLANC: Sélection Flash alternative

REMARQUE CONCERNANT LE CÂBLAGE :

1. Utilisez toujours un chronomètre lorsque vous connectez le fil jaune au fil noir afin de garantir un timing précis pour la fonction souhaitée.
2. Après avoir défini les groupes, éteignez puis rallumez l'appareil pour activer le regroupement.

SÉLECTION DU MOTIF

Pour changer de motif, connectez momentanément le fil **JAUNE** au fil **ROUGE** :

- Connectez momentanément le fil JAUNE au fil ROUGE pour changer de motif :
- Moins d'une seconde : passez au motif suivant
- 1 à 3 secondes : revenez au motif précédent
- 3 à 5 secondes : réinitialisez au motif n° 1
- Plus de 5 secondes : passez en mode basse consommation
- Pour quitter, appuyez à nouveau et maintenez enfoncé pendant plus de 5 secondes

SYNCHRONISATION

Pour synchroniser toutes les unités :

- Connectez tous les fils **JAUNES** ensemble.
- Cela garantit que toutes les unités clignotent de manière synchronisée lorsque le motif est modifié.

CONFIGURATION DE CLIGNOTEMENT ALTERNÉ

Pour configurer le clignotement alterné entre deux groupes :

- Connectez les fils **JAUNES** de toutes les unités entre eux (pour la synchronisation)
- Attribuez les groupes :
- Groupe A : connectez le fil **BLANC** au fil **ROUGE** (tension continue +VDC)
- Groupe B : laissez le fil **BLANC** déconnecté
- Les groupes A et B clignoteront désormais en alternance.

Pour revenir au clignotement synchronisé standard, déconnectez les fils **BLANCS** du groupe A.

CONFIGURATION DES COULEURS

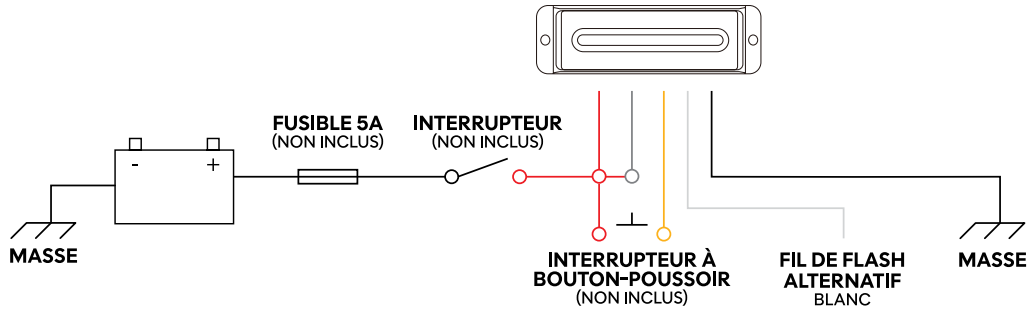
- Application du **ROUGE** uniquement = Couleur n° 1
- Application du **GRIS** uniquement = Couleur n° 2
- Application simultanée du **ROUGE** et du **GRIS** = Couleur n° 1 et couleur n° 2 clignotant en alternance

SCHÉMA DE CÂBLAGE BICOLORE

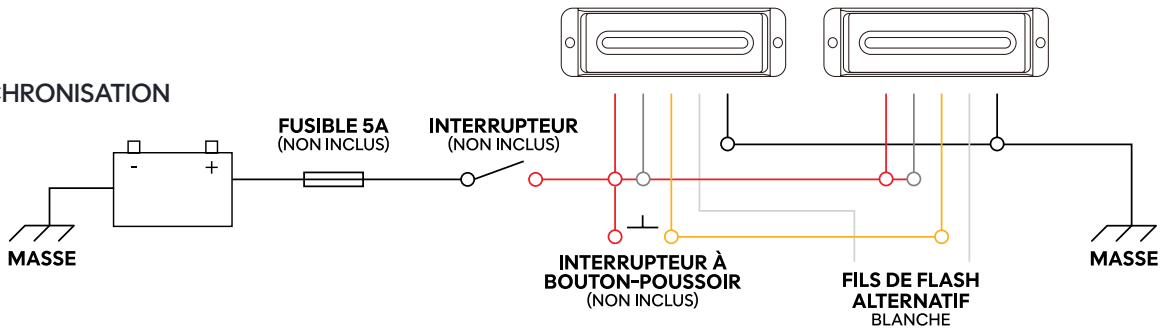
(HDR208AB/AC/AG/AR | HDR212AB/AC/AG/AR | HDR224AB/AC/AG/AR)

À titre de référence uniquement

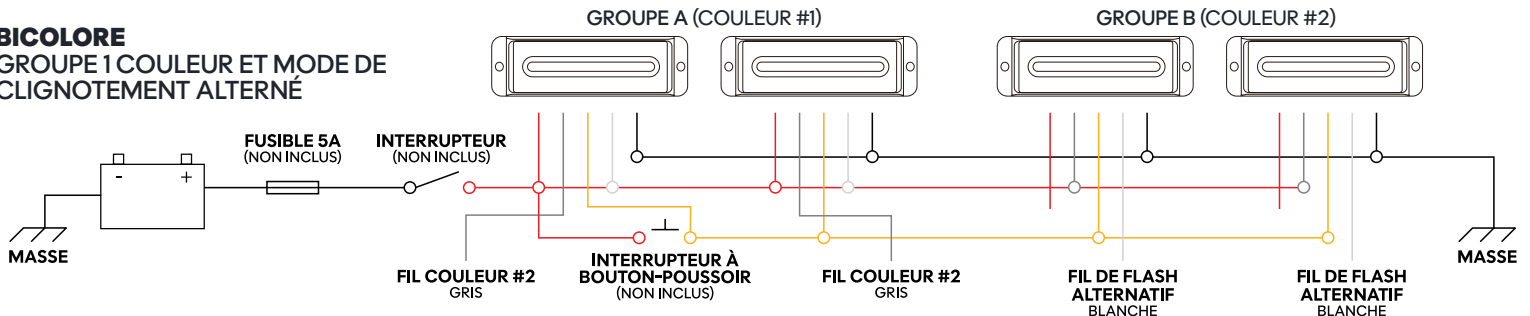
BICOLORE UNITÉ UNIQUE



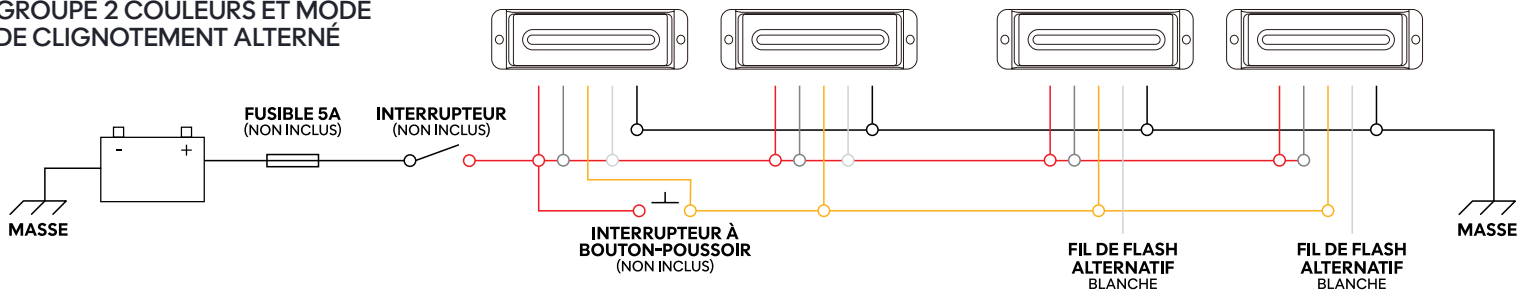
BICOLORE MODE DE SYNCHRONISATION



BICOLORE GROUPE 1 COULEUR ET MODE DE CLIGNOTEMENT ALTERNÉ



BICOLORE GROUPE 2 COULEURS ET MODE DE CLIGNOTEMENT ALTERNÉ



MOTIFS DE FLASH À COULEUR UNIQUE
HDR204A / HDR204B / HDR204G / HDR206A / HDR206B / HDR206G

#	MOTIF DE FLASH	#	MOTIF DE FLASH
1	Flash unique (R65)	14	Flash triple - alternatif
2	Flash unique - lent (CA T13)	15	Flash quadruple - alternatif
3	Flash double (Classe 1 & R65)	16	Flash octuple - rapide - alternatif
4	Flash double - lent	17	Flash unique - divisé
5	Flash triple	18	Double flash - divisé
6	Flash quadruple	19	Flash quadruple - divisé
7	Flash quadruple - lent	20	Flash octuple - divisé
8	Flash octuple - rapide	21	Flash unique - divisé - accelerate
9	Flash octuple - lent	22	Double flash - divisé - accelerate
10	Douze flash	23	Flash SOS
11	Seize flash	24	Cycle (1,8,3,9,4,18)
12	Flash unique - alternatif	25	Cycle (2,7,9,11,19,21)
13	Flash double - alternatif	26	Restez stable

MOTIFS DE FLASH BICOLORE
HDR208 / HDR212 / HDR224

#	MOTIF DE FLASH	#	MOTIF DE FLASH
1	Flash unique	11	Flash double - lent
2	Flash double (classe 1)	12	Flash triple
3	Flash quadruple	13	Flash quadruple - lent
4	Flash octuple	14	Flash octuple - lent
5	Flash unique - alternatif	15	Douze flash
6	Flash Double - alternatif	16	Flash unique - accélérer Bicolore: gauche C1 droite C2
7	Flash Quadruple - alternatif	17	Flash double - accélérer
8	Flash octuple - alternatif Bicolore: gauche C1 droite C2	18	Flash SOS
9	Flash unique - lent (CA T13)	19	Restez stable
10	Flash unique - respiratoire		

ENTRETIEN

- Nettoyez la lentille extérieure uniquement avec de l'eau et du savon. Évitez d'utiliser tout autre produit chimique, car cela pourrait provoquer des fissures (craquelures) ou une décoloration prématurée de la lentille. Les lentilles endommagées ou décolorées perdent en efficacité et doivent être remplacées immédiatement.
- Inspectez et testez régulièrement ce produit pour vous assurer qu'il fonctionne correctement et qu'il est solidement fixé.
- N'utilisez pas de nettoyeur haute pression pour nettoyer ce produit.

IMPORTANT

Avant de remettre le véhicule en service, vérifiez visuellement que ce produit — ainsi que tout autre équipement du véhicule — fonctionne correctement.

DÉPANNAGE

La plupart des problèmes, tels que le fonctionnement intermittent, le comportement irrégulier ou la panne complète, sont généralement causés par des problèmes de câblage ou de batterie. Veuillez vérifier tous les câbles, les connexions, le fusible, l'interrupteur et la tension de la batterie pour vous assurer que l'appareil reçoit la tension correcte.

Si le problème persiste, veuillez contacter votre concessionnaire local pour un remplacement sous garantie ou communiquer avec le service à la clientèle de HELIX au 1-888-950-2227 pour obtenir de l'aide.

CALIFORNIE, TITRE 13 EXIGENCES D'INSTALLATION

§ 685. Installation et entretien.

Les équipements d'éclairage doivent être solidement fixés sur une partie rigide du véhicule afin d'éviter toute vibration perceptible du faisceau et doivent être entretenus de manière à conserver un réglage correct lorsque le véhicule est à l'arrêt et en mouvement. Sauf autorisation contraire, aucun dispositif d'éclairage ne doit être monté de telle sorte qu'une partie du véhicule, du chargement ou de l'équipement du véhicule interfère avec la distribution de la lumière ou diminue son intensité dans les angles de test photométrique, à moins qu'un dispositif supplémentaire ne soit installé de manière à ce que la combinaison des deux réponde à ces exigences. Les hauteurs de montage doivent être mesurées à partir du centre de la lampe ou du réflecteur jusqu'à la surface plane sur laquelle repose le véhicule lorsqu'il n'est pas chargé.

Crédits

Remarque : Autorité citée : Section 26103, Code de la route. Référence : Sections 24012 et 26103, Code de la route.

§ 686. Montage des dispositifs de recharge.

Les feux de recharge comportant des repères d'orientation tels que « haut » doivent être montés conformément à ces repères. Les unités optiques scellées et semi-scellées doivent être installées avec le lettrage sur la face de la lentille à l'endroit. Les catadioptrés avant et arrière doivent être solidement montés sur une partie rigide du véhicule, le plan de la lentille étant perpendiculaire à la chaussée et parallèle à l'essieu arrière. Les catadioptrés latéraux doivent être montés avec la face de la lentille perpendiculaire à la chaussée et parallèle aux roues arrière. Les dispositifs de recharge dont le boîtier n'est pas réglable doivent être montés avec la base sur une surface horizontale ou verticale, selon le cas, sauf si des instructions de montage différentes sont fournies avec ces dispositifs lors de leur mise en vente.

Crédits

Remarque : Autorité citée : Section 26103, Code de la route. Référence : Sections 24012 et 26103, Code de la route.

§ 687. Montage des dispositifs d'origine.

Les feux et réflecteurs d'origine conçus pour une marque particulière de véhicule et installés sur un autre véhicule doivent être montés selon le même angle que sur le véhicule pour lequel ils ont été conçus. Ils ne doivent pas nécessairement être montés à la même hauteur ou avec le même espacement latéral que sur le véhicule d'origine, mais doivent respecter les restrictions de hauteur et d'emplacement appropriées prévues dans le présent titre et dans le Code de la route.

Crédits

Remarque : Autorité citée : section 26103 du Code de la route. Référence : sections 24012 et 26103 du Code de la route.

§ 696. Feux d'avertissement des autobus scolaires.

- Nombre de feux et emplacements requis. Chaque autobus scolaire doit être équipé de quatre feux d'avertissement. Deux feux clignotants alternés doivent être fixés à l'avant, un de chaque côté, à la même hauteur au-dessus du pare-brise ; et deux feux clignotants alternés doivent être fixés à l'arrière, un de chaque côté, à la même hauteur, le bord inférieur de chaque lentille ne devant pas être plus bas que la ligne supérieure des ouvertures des vitres latérales. Un panneau doit être installé pour servir de fond aux feux d'avertissement qui dépassent le haut d'un autobus scolaire.
- Interrupteurs de commande. Les interrupteurs des feux d'avertissement du bus scolaire actionnés manuellement par le conducteur doivent être situés à portée de main du siège du conducteur.
- Indicateur pilote. Un signal clignotant bien visible d'au moins 12,7 mm (0,5 pouce) de diamètre doit être inclus dans le circuit afin d'indiquer clairement et sans ambiguïté au conducteur lorsque les signaux d'avertissement sont activés. L'indicateur ne doit pas être masqué à la vue du conducteur par une partie quelconque du véhicule.
- Espacement et visibilité. Les feux d'avertissement avant et arrière doivent être espacés latéralement autant que possible, et la distance entre les feux ne doit en aucun cas être inférieure à 100 cm (39 pouces). La visibilité des feux d'avertissement avant et arrière ne doit être obstruée par aucune partie du véhicule entre 5 degrés au-dessus et 10 degrés en dessous de l'horizontale et entre 30 degrés à droite et 30 degrés à gauche de la ligne médiane des feux.
- Dates d'installation des feux d'avertissement. Les feux d'avertissement installés sur les autobus scolaires après 1965 doivent être des feux d'avertissement rouges de classe C. Ceux installés avant 1966 et répondant aux exigences en vigueur au moment de leur installation peuvent continuer à être utilisés sur les autobus scolaires sur lesquels ils ont été installés.

Crédits

Remarque : Autorité citée : Section 26103, Code de la route. Référence : Sections 24012, 25257 et 26103, Code de la route.

§ 700. Feux d'avertissement.

Les feux d'avertissement avant obligatoires autres que les feux d'avertissement des autobus scolaires doivent être montés de manière à ce que toute la surface projetée de la lentille soit visible à partir de toutes les hauteurs des yeux des conducteurs d'autres véhicules à des angles compris entre 45 degrés à gauche et 45 degrés à droite de l'avant du véhicule. Si la lumière dans ces angles obligatoires est bloquée par le véhicule ou tout objet important se trouvant sur celui-ci, un feu d'avertissement supplémentaire doit être installé dans l'angle obstrué. Les feux d'avertissement peuvent être montés à n'importe quelle hauteur.

Crédits

Remarque : Autorité citée : Section 26103, Code de la route. Référence : Sections 24012 et 26103, Code de la route.



Garantie:

YOURTRUCKSHOP INC. ("HELIX") garantit que, pendant une période de soixante (60) mois à compter de la date d'achat du Produit auprès de HELIX ou de l'un de ses distributeurs (la "Période de garantie"), ledit produit répond à l'usage habituel et exempt de tout vice caché, et est conforme aux spécifications publiées par HELIX en vigueur à la date dudit achat (la "Garantie").

CETTE GARANTIE NE COUVRE PAS LES PRODUITS (A) QUI ONT FAIT L'OBJET D'UN ABUS, D'UNE MAUVAISE UTILISATION, DE NÉGLIGENCE OU FAUTE DE MODIFICATION, D'UN ACCIDENT, D'UN TEST INAPPROPRIÉ, D'UNE INSTALLATION INCORRECTE, D'UN ENTREPOSAGE INAPPROPRIÉ, D'UNE MAUVAISE MANIPULATION, D'UN STRESS ANORMAL, DES CONDITIONS ENVIRONNEMENTALES ANORMALES, D'UNE MAUVAISE INSTALLATION OU FONCTIONNEMENT OU UTILISATION CONTRAIRE AUX INSTRUCTIONS FOURNIES PAR HELIX; (B) QUI ONT ÉTÉ RECONSTRUITS, RÉPARÉS OU MODIFIÉS PAR TOUTE PERSONNE AUTRE QUE HELIX OU SES REPRÉSENTANTS AUTORISÉS; (C) QUI N'ONT PAS ÉTÉ ENTRETENUS CONFORMÉMENT AUX PROCÉDURES D'ENTRETIEN DÉCRITES DANS LE SCHEMA DE CÂBLAGE, SPÉCIFICATIONS DU PRODUIT ET GUIDE D'INSTALLATION COMPLET D'HELIX.

Toute demande de garantie ou de retour doit être effectuée par l'intermédiaire d'un Distributeur autorisé HELIX. HELIX traitera uniquement les réclamations reçues d'un Distributeur autorisé. Pour plus d'informations sur la politique de garantie ou de retour, veuillez contacter votre Distributeur HELIX.

Exclusion de toutes autres garanties:

Avis aux consommateurs du Québec

Nonobstant ce qui suit, la Loi sur la protection des consommateurs du Québec accorde aux consommateurs (tels que définis dans ladite loi) une garantie légale sur tous les biens qu'ils achètent ou louent d'un commerçant ou d'un fabricant. Ces biens doivent être :

- Tel qu'ils puissent servir à l'usage auxquels ils sont normalement destinés; et
- Tel qu'ils puissent servir à un usage normal pendant une durée raisonnable, eu égard à son prix, aux dispositions du contrat et aux conditions d'utilisation des biens.

À L'EXCEPTION DES GARANTIES EXPRESSES ÉNONCÉES CI-DESSUS DANS LA SECTION "GARANTIE", HELIX N'OFFRE AUCUNE AUTRE GARANTIE RELATIVE AUX PRODUITS, Y COMPRIS TOUTE : (A) GARANTIE DE QUALITÉ MARCHANDE; (B) GARANTIE QUANT AU CARACTÈRE ADÉQUAT À UN USAGE PARTICULIER; OU (C) GARANTIE DE QUALITÉ OU DE DÉFAUTS CACHÉS, QU'IL SOIT EXPRÈS OU IMPLICITE PAR LA LOI, DES COURS DE TRANSACTION, DES MODALITÉS D'EXÉCUTION, D'USAGES COMMERCIAUX OU AUTRE. L'ACHETEUR RECONNAÎT QU'IL NE S'EST PAS FONDÉ SUR AUCUNE DÉCLARATION, CONDITION OU GARANTIE ÉMISE PAR HELIX, OU PAR TOUTE AUTRE PERSONNE AGISSANT AU NOM D'HELIX.

Recours et limitation de responsabilité:

LA SEULE RESPONSABILITÉ DE HELIX ET LE RECOURS EXCLUSIF DE L'ACHETEUR, QUE CE SOIT EN CONTRAT, EN DÉLIT (Y COMPRIS EN CAS DE NÉGLIGENCE OU DE FAUTE), OU EN VERTU DE TOUTE AUTRE THÉORIE CONTRE HELIX, CONCERNANT LE PRODUIT ET SON UTILISATION, CONSISTERA, À LA DISCRÉTION DE HELIX, AU REMPLACEMENT OU À LA RÉPARATION DU PRODUIT, OU LE REMBOURSEMENT INTÉGRAL DU PRIX D'ACHAT. EN AUCUN CAS, LA RESPONSABILITÉ D'HELIX RELATIVE À LA PRÉSENTE GARANTIE OU À TOUTE AUTRE RÉCLAMATION CONCERNANT UN PRODUIT HELIX NE POURRA DÉPASSER LE PRIX PAYÉ PAR L'ACHETEUR POUR CE PRODUIT. HELIX NE SERA EN AUCUN CAS RESPONSABLE DE LA PERTE DE PROFITS, DU COÛT D'ÉQUIPEMENT DE REMPLACEMENT OU DE MAIN-D'ŒUVRE, DE DOMMAGES MATÉRIELS, NI DE TOUT DOMMAGE SPÉCIAL, INDIRECT, ACCESSOIRE OU CONSÉCUTIF RÉSULTANT NOTAMMENT D'UNE VIOLATION DE CONTRAT, D'UNE INSTALLATION INCORRECTE, D'UNE NÉGLIGENCE OU DE TOUTE AUTRE RÉCLAMATION, MÊME SI HELIX OU L'UN DE SES REPRÉSENTANTS A ÉTÉ AVISÉ DE LA POSSIBILITÉ DE TELS DOMMAGES. HELIX N'AURA AUCUNE AUTRE OBLIGATION OU RESPONSABILITÉ CONCERNANT LE PRODUIT, SA VENTE, SON UTILISATION OU SON FONCTIONNEMENT, ET HELIX N'ASSUME, NI N'AUTORISE QUICUNQUE À ASSUMER EN SON NOM, AUCUNE AUTRE OBLIGATION OU RESPONSABILITÉ RELATIVE À CE PRODUIT.

Droit applicable:

SI VOUS ÊTES UN CONSOMMATEUR (SELON LA LOI SUR LA PROTECTION DES CONSOMMATEURS DU QUÉBEC) ET RÉSIDENT DU QUÉBEC, LA PRÉSENTE GARANTIE ET TOUS LES DOCUMENTS S'Y RATTACHANT SONT RÉGÉS PAR LES LOIS DE LA PROVINCE DU QUÉBEC ET LES LOIS DU CANADA QUI S'Y APPLIQUENT.

Sauf dans la mesure requise par toute disposition relative à la protection du consommateur, la présente Garantie et tous les documents afférents sont régis par les lois de la province de l'Ontario et les lois du Canada qui y sont applicables. De plus, il se peut que vous ayez d'autres droits légaux qui varient selon votre province ou territoire. Dans la mesure où la législation en matière de protection des consommateurs dans votre province ou territoire prévaut sur la présente garantie (le "Droit applicable"), vos droits seront déterminés par le Droit applicable qui vous est applicable.

Aucune partie de ce document ne peut être reproduite ou transmise sous quelque forme que ce soit sans l'autorisation écrite de l'auteur. © 2025 YourTruckShop Inc. Tous droits réservés.

IMPORTANTE: Antes de instalar o utilizar este producto, tanto el técnico instalador como el operador deben leer este manual en su totalidad. Contiene información importante que puede ayudar a prevenir lesiones graves o daños. Asegúrese de proporcionar estas instrucciones al usuario final.

PRECAUCIÓN: Estas instrucciones se proporcionan únicamente a modo de guía general. Es posible que se requieran montajes, cableados y/o sellos de estanqueidad adicionales, cuya responsabilidad recae en el instalador. El fabricante no asume ninguna responsabilidad por la integridad de la instalación.



¡ADVERTENCIA!

- Este documento contiene toda la información esencial necesaria para la instalación correcta y segura de su producto HELIX.
- No instale ni utilice este producto sin haber leído y comprendido la información contenida en esta Guía de instalación.
- El incumplimiento de estas instrucciones podría provocar daños en el producto y en el vehículo, e incluso causar lesiones graves o la muerte a las personas a las que pretende proteger
- Helix recomienda que este producto sea instalado por un profesional.

PRECAUCIONES DE SEGURIDAD

- Solo para uso autorizado:** Este equipo está destinado al uso exclusivo por parte de personal autorizado. Los usuarios son responsables de conocer y cumplir todas las leyes municipales, estatales y federales aplicables en materia de dispositivos de alerta de emergencia. El fabricante no asume ninguna responsabilidad por cualquier pérdida que resulte del uso inadecuado de este producto.
 - Cualificaciones del instalador:** Para instalar correctamente este producto, el instalador debe tener un conocimiento sólido de la electrónica, los sistemas y los procedimientos automotrices.
 - Aviso sobre la garantía:** El uso de piezas o hardware de instalación no especificados anulará la garantía del producto.
 - Capacitación e instalación:** La instalación adecuada, junto con una capacitación integral del operador en el uso, cuidado y mantenimiento de los dispositivos de alerta de emergencia, es esencial para garantizar el bienestar tanto del personal de emergencia como del público.
 - Inspección diaria y proyección de señales:** Es responsabilidad del operador del vehículo verificar diariamente que todas las funciones de este producto funcionan correctamente. Durante su uso, asegúrese de que la señal de advertencia no esté obstruida por componentes del vehículo (por ejemplo, maleteros abiertos, puertas de compartimentos), personas, vehículos u otras barreras.
 - Responsabilidad del operador y derecho de paso:** Los dispositivos de advertencia de emergencia no garantizan que todos los conductores vean o respondan a la señal. Nunca asuma el derecho de paso. Es responsabilidad del operador asegurarse de que sea seguro antes de entrar en intersecciones, conducir en sentido contrario al tráfico, responder a altas velocidades o maniobrar entre los carriles de tráfico.
 - La instalación adecuada es fundamental:** La colocación y la instalación correctas son vitales para el rendimiento del dispositivo. Instale el sistema para maximizar el rendimiento y asegúrese de que los controles estén al alcance del operador, lo que permite un funcionamiento seguro sin apartar la vista de la carretera.
 - Precauciones para la instalación con perforación:** Si la instalación de este producto implica perforar agujeros, el instalador debe asegurarse de que ningún componente del vehículo u otras piezas críticas corran el riesgo de sufrir daños. Inspeccione siempre ambos lados de la superficie de montaje antes de perforar. Después de perforar, elimine cualquier rebaba para garantizar una instalación limpia y segura.
 - Advertencia: Peligro de luz de alta intensidad:** Este producto incluye luces estroboscópicas, bombillas halógenas, LED de alta intensidad o una combinación de las mismas. No mire directamente a las luces, ya que hacerlo podría causar ceguera temporal o daños oculares permanentes.
 - Compruebe que no haya obstrucciones durante el uso:** Los operadores deben asegurarse de que la señal de advertencia no esté bloqueada por compartimentos abiertos, componentes del vehículo, transeúntes u otros obstáculos. Verifique siempre el funcionamiento del sistema durante su uso.
 - Ubicación óptima de los controles para el operador:** Instale los controles del producto en un lugar de fácil acceso y que permita al operador mantener un contacto visual continuo con la carretera. Esto garantiza tanto la comodidad como la visibilidad durante el funcionamiento.
 - Zonas de despliegue de las bolsas de aire:** No instale este producto ni coloque ningún cableado en áreas que puedan interferir con el despliegue de las bolsas de aire. Los equipos situados en estas zonas pueden reducir la eficacia de las bolsas de aire o convertirse en proyectiles peligrosos. Consulte el manual del propietario del vehículo para identificar las zonas de despliegue y asegúrese de elegir una ubicación de montaje que minimice el riesgo, evitando especialmente las zonas de impacto en la cabeza.
 - Directrices eléctricas:** Muchos dispositivos de advertencia de emergencia funcionan con altos voltajes y/o corrientes eléctricas. Tenga siempre cuidado al trabajar con conexiones eléctricas activas.
 - Requisitos de conexión a tierra:** Este producto debe estar correctamente conectado a tierra. Una conexión a tierra inadecuada o un cortocircuito en las conexiones eléctricas pueden provocar arcos eléctricos de alta intensidad, lo que supone un riesgo de lesiones personales y/o daños graves al vehículo, incluido un incendio. Si los cables no están correctamente conectados y conectados a tierra, podría producirse un riesgo de incendio.
- 15. EL INCUMPLIMIENTO DE ESTAS PRECAUCIONES E INSTRUCCIONES PUEDE CAUSAR DAÑOS AL PRODUCTO O AL VEHÍCULO Y PODRÍA PROVOCAR LESIONES GRAVES A USTED O A SUS PASAJEROS.**

PARTE #	CUMPLIMIENTOS
HDR204A	CA T13, SAE J595 Clase 1, R65, R65 XA1, R10, CE, UKCA, CISPR 25 Clase 3
HDR204B	CA T13, SAE J595 Clase 1, R65, R65 XB1, R10, CE, UKCA, CISPR 25 Clase 3
HDR204G	R10, CE, UKCA, CISPR 25 Clase 3
HDR206A	CA T13, SAE J595 Clase 1, R65, R65 XA1, R10, CE, UKCA, CISPR 25 Clase 3
HDR206B	CA T13, SAE J595 Clase 1, R65, R65 XB1, R10, CE, UKCA, CISPR 25 Clase 3
HDR206G	R10, CE, UKCA, CISPR 25 Clase 3
HDR208AB	CA T13, SAE J595 Clase 1, R65, R65 XA1, R65 XB1, R10, CE, UKCA, CISPR 25 Clase 3
HDR208AC	CA T13, SAE J595 Clase 1, R65, R65 XA1, R10, CE, UKCA, CISPR 25 Clase 3
HDR208AG	CA T13, SAE J595 Clase 1, R65, R65 XA1, R10, CE, UKCA, CISPR 25 Clase 3

PARTE #	CUMPLIMIENTOS
HDR208AR	CA T13, SAE J595 Clase 1, R65, R65 XA1, R10, CE, UKCA, CISPR 25 Clase 3
HDR212AB	CA T13, SAE J595 Clase 1, R65, R65 XA1, R65 XB1, R10, CE, UKCA, CISPR 25 Clase 3
HDR212AC	CA T13, SAE J595 Clase 1, R65, R65 XA1, R10, CE, UKCA, CISPR 25 Clase 3
HDR212AG	CA T13, SAE J595 Clase 1, R65, R65 XA1, R10, CE, UKCA, CISPR 25 Clase 3
HDR212AR	CA T13, SAE J595 Clase 1, R65, R65 XA1, R10, CE, UKCA, CISPR 25 Clase 3
HDR224AB	CA T13, SAE J595 Clase 1, R65, R65 XA1, R10, CE, UKCA, CISPR 25 Clase 3
HDR224AC	CA T13, SAE J595 Clase 1, R65, R65 XA1, R10, CE, UKCA, CISPR 25 Clase 3
HDR224AG	CA T13, SAE J595 Clase 1, R65, R65 XA1, R10, CE, UKCA, CISPR 25 Clase 3
HDR224AR	CA T13, SAE J595 Clase 1, R65, R65 XA1, R10, CE, UKCA, CISPR 25 Clase 3

INSTALACIÓN

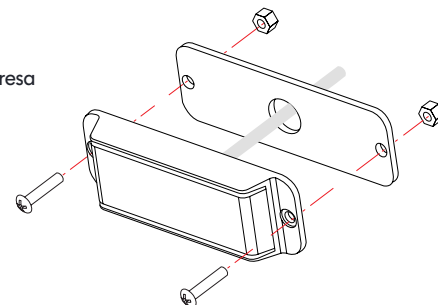
INSTRUCCIONES IMPORTANTES:

- Desconecte la alimentación eléctrica antes de conectar el dispositivo.
- Antes de perforar cualquier superficie del vehículo, asegúrese de que el área esté libre de cables eléctricos, conductos de combustible, tapicería y cualquier otro componente que pueda dañarse.
- Esta unidad es un dispositivo de alerta y debe conectarse a su propia toma de corriente independiente con fusible. Esto garantiza que el dispositivo seguirá funcionando incluso si falla otro accesorio eléctrico.
- Retire con cuidado el dispositivo de iluminación de su embalaje y colóquelo sobre una superficie plana y estable.
- Inspeccione minuciosamente la unidad para comprobar que no haya sufrido daños durante el transporte y confirme que todas las piezas estén presentes.
- No utilice ninguna pieza que parezca dañada o rota. Si encuentra daños o piezas faltantes, póngase en contacto con la empresa de transporte o con HELIX inmediatamente.

MONTAJE:

Instale la junta de espuma y los accesorios incluidos tal y como se muestra.

NOTA: Se pueden elegir tornillos autorroscantes y de cabeza redonda para el montaje, según las necesidades del cliente.



CABLEADO

Directrices de Cableado:

- Desconecte Primero la Alimentación:
 - Desconecte siempre la alimentación antes de cablear direccional.
- Utilice Conexiones Adecuadas:
 - Utilice cables más gruesos y conexiones firmes para prolongar la vida útil de los componentes.
 - Para cableado de alta corriente, utilice bloques de terminales o conexiones soldadas con tubos termorretráctiles.
 - No utilice** conectores de desplazamiento de aislamiento.
- Proteja el Cableado:
 - Pase los cables por ojales con sellador cuando atraviesen las paredes del compartimento.
 - Utilice fundas, bridas y ojales para fijar y proteger el cableado del calor y las piezas móviles.
 - Evite los empalmes; menos caídas de tensión y menos riesgo de averías.
- Colocación de Fusibles y Disyuntores:
 - Instale los fusibles/disyuntores cerca de la fuente de alimentación.
 - Elija el tamaño adecuado para proteger tanto el cableado como los dispositivos.
- Conexión a Tierra:
 - Conectado únicamente a partes sólidas del chasis, preferiblemente a la batería del vehículo.
- Sensibilidad al Calor:
 - Las altas temperaturas reducen la capacidad de los cables, fusibles y disyuntores.
 - Los disyuntores pueden dispararse falsamente si se instalan en lugares calientes o funcionan cerca de su capacidad máxima.
- Recomendaciones Adicionales:
 - Aplique grasa dieléctrica alrededor de todas las conexiones eléctricas expuestas a la humedad o al ambiente para protegerlas de la corrosión y la entrada de agua.
 - Todo el cableado debe ser de un mínimo de 18 AWG.
 - Instale un fusible de 5 amperios en la línea positiva, como se muestra.
 - Se puede añadir un interruptor para controlar la función de encendido/apagado. Conecte el cable de tierra directamente al terminal negativo de la batería.
 - Se recomienda cambiar a un cable más grueso (por ejemplo, 16 AWG) después de los primeros 3 metros de cableado. Por cada 3 metros adicionales, siga cambiando a un calibre más grueso para minimizar la caída de tensión y mantener un rendimiento óptimo.
 - Utilice siempre los tamaños mínimos de cable y las recomendaciones proporcionadas por el fabricante (cuando corresponda).

CABLEADO DE COLOR ÚNICO (HDR204A/B/G | HDR206A/B/G)

ROJO: +VDC (Fuente de Alimentación Positiva)

NEGRO: Tierra del chasis (Conexión Negativa/Tierra)

AMARILLO: Selección de Patrones

BLANCO: Sincronización

SELECCIÓN DE PATRONES

Conecte momentáneamente el cable **AMARILLO** al **NEGRO** para cambiar los patrones:

- Menos de 1 segundo: avanza al siguiente patrón.
- De 1 a 3 segundos: vuelve al patrón anterior.
- De 3 a 5 segundos: restablece el patrón n.º 1.
- Más de 5 segundos: apaga la unidad.
- Cuando se vuelve a conectar la alimentación, el dispositivo reanuda el último patrón activo.

SINCRONIZACIÓN

Para sincronizar todas las unidades:

- Conecte todos los cables **BLANCOS** entre sí

FLASH ALTERNATIVO

OPCIÓN 1: ALTERNANCIA UNO A UNO (MÁXIMO: DOS UNIDADES)

- Configure ambas unidades con el mismo patrón (n.º 12-16).
Ejemplo: configure ambas unidades en el patrón n.º 13 para el destello alternado.
- Conexiones de cables
 - Conecte los cables **ROJOS** de ambas unidades entre sí (alimentación).
 - Conecte los cables **NEGROS** entre sí (tierra).
 - Conecte los cables **AMARILLOS** entre sí (selección de patrón).
 - Conecte los cables **BLANCOS** entre sí (sincronización).
- Las dos unidades ahora parpadearán alternativamente en el patrón seleccionado.

OPCIÓN 2: ALTERNANCIA DE UNA A MÚLTIPLES (2+ UNIDADES)

NOTA: Solo puede tener una unidad alternando con todas las demás unidades. No se admite la alternancia entre dos grupos (por ejemplo, 4 contra 4).

- Configure todas las unidades con el mismo patrón (n.º 12-16).
Ejemplo: configure todas las unidades con el patrón n.º 12 para un destello alternativo.
- Conecte todas las unidades de la siguiente manera:
 - Conecte los cables **ROJOS** de ambas unidades entre sí (alimentación).
 - Conecte los cables **NEGROS** entre sí (tierra).
 - Conecte los cables **AMARILLOS** entre sí (selección de patrón).
 - Conecte los cables **BLANCOS** entre sí (sincronización).

NOTA: En esta configuración, se seleccionará aleatoriamente una unidad para alternarse con el resto del grupo. La unidad seleccionada puede cambiar cada vez que se reinicie el sistema, ya que el proceso de selección se restablece con cada ciclo de encendido.

Ejemplo Opción 2:

Para configurar 1 unidad alternando con otras 7 en el patrón n.º 12 (destello único)

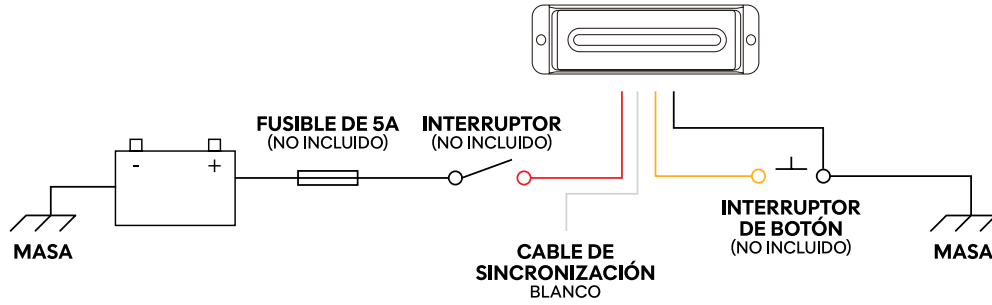
- Configure las 8 unidades en el patrón n.º 12.
- Conecte todos los cables **ROJOS**, **NEGROS**, **AMARILLOS** y **BLANCOS** juntos.
- Se seleccionará 1 unidad al azar para alternar el destello con las otras 7 unidades.

Consulte el diagrama de cableado de la página siguiente.

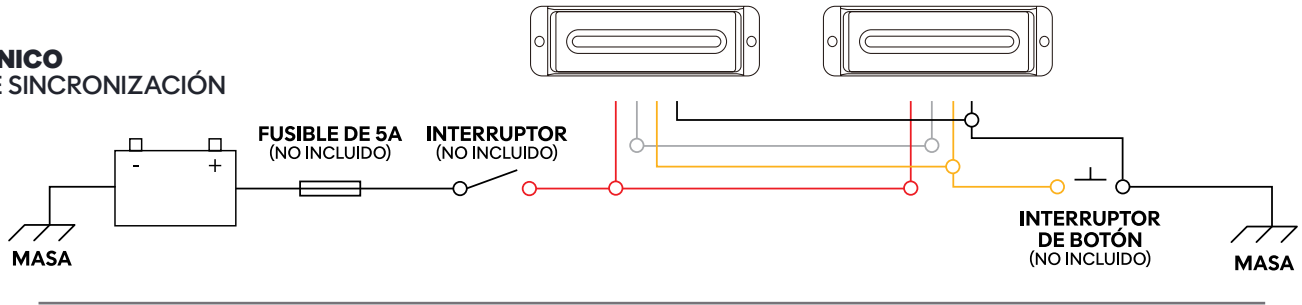
DIAGRAMA DE CABLEADO COLOR ÚNICO (HDR204A/B/G | HDR206A/B/G)

Solo para referencia

COLOR ÚNICO UNIDAD ÚNICA

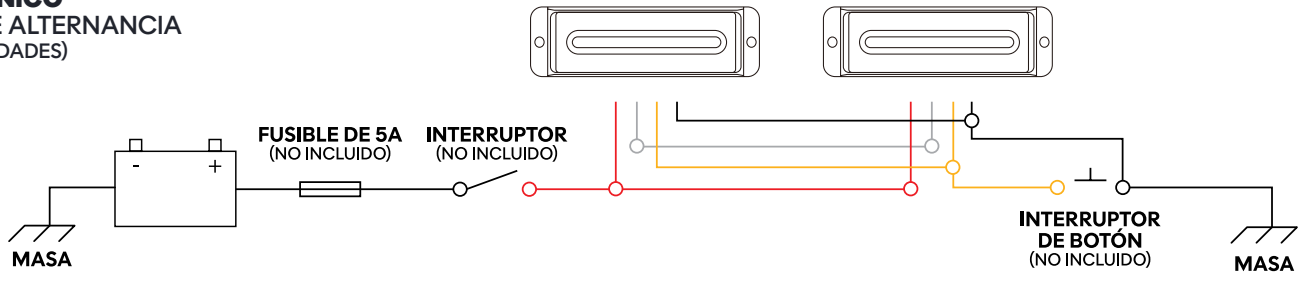


COLOR ÚNICO MODO DE SINCRONIZACIÓN



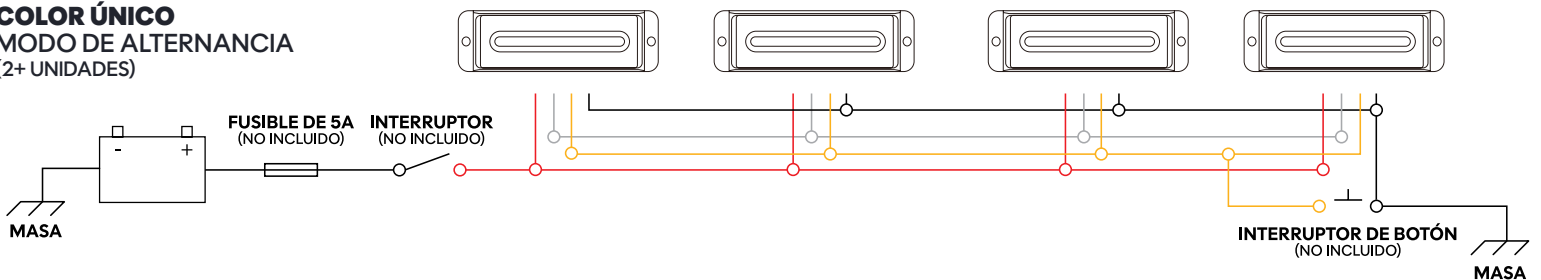
COLOR ÚNICO MODO DE ALTERNANCIA (MÁX: 2 UNIDADES)

PATRÓN ESTABLECIDO PARA AMBAS UNIDADES A #12/13/14/15/16



COLOR ÚNICO MODO DE ALTERNANCIA (2+ UNIDADES)

PATRÓN ESTABLECIDO PARA TODAS LAS UNIDADES A #12/13/14/15/16



NOTA: En esta configuración, se seleccionará aleatoriamente una unidad para alternarse con el resto del grupo. La unidad seleccionada puede cambiar cada vez que se reinicie el sistema, ya que el proceso de selección se restablece con cada ciclo de encendido.

CABLEADO BICOLOR

(HDR208AB/AC/AG/AR | HDR212AB/AC/AG/AR | HDR224AB/AC/AG/AR)

ROJO: +VDC (Color n.º 1)

GRIS: +VDC (Color n.º 2)

NEGRO: Tierra del chasis (Conexión Negativa/Tierra)

AMARILLO: Selección de Patrones

BLANCO: Selección alternativa de Flash

NOTA SOBRE EL CABLEADO:

1. Utilice siempre un cronómetro cuando conecte el cable amarillo al cable negro para garantizar una sincronización precisa de la función deseada.
2. Después de configurar los grupos, apague y vuelva a encender el dispositivo para activar la agrupación.

SELECCIÓN DE PATRONES

Para cambiar los patrones, conecte momentáneamente el cable **AMARILLO** al cable **ROJO**:

- Conecte momentáneamente el **AMARILLO** al **ROJO** para cambiar los patrones:
- Menos de 1 segundo: avanza al siguiente patrón
- De 1 a 3 segundos: vuelve al patrón anterior
- De 3 a 5 segundos: se restablece al patrón n.º 1
- Más de 5 segundos: entra en modo de bajo consumo
- Para salir, mantenga pulsado de nuevo durante más de 5 segundos

SINCRONIZACIÓN

Para sincronizar todas las unidades:

- Conecte todos los cables **AMARILLOS** entre sí.
- Esto garantiza que todas las unidades parpadeen de forma sincronizada cuando se cambie el patrón.

CONFIGURACIÓN DE PARPADEO ALTERNATIVO

Para configurar el destello alternativo entre dos grupos:

- Conecte los cables **AMARILLOS** de todas las unidades entre sí (para la sincronización).
- Asigne los grupos:
 - Grupo A: conecte el cable **BLANCO** al **ROJO** (constante +VDC)
 - Grupo B: deje el cable **BLANCO** desconectado
- Los grupos A y B ahora parpadearán alternativamente

CONFIGURACIÓN DE COLORES

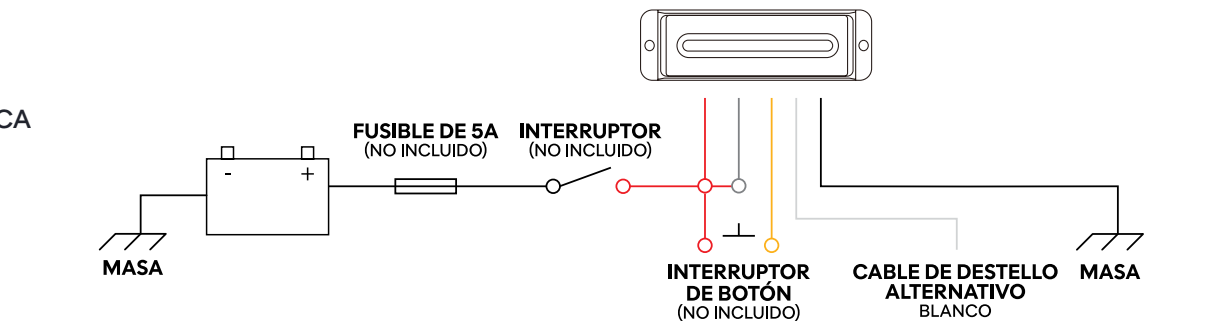
- Aplicar solo **ROJO** = Color n.º 1
- Aplicar solo **GRIS** = Color n.º 2
- Aplicar **ROJO** y **GRIS** juntos = Color n.º 1 y color n.º 2 parpadeando alternativamente

Para volver al parpadeo sincronizado estándar, desconecte los cables **BLANCOS** del Grupo A.

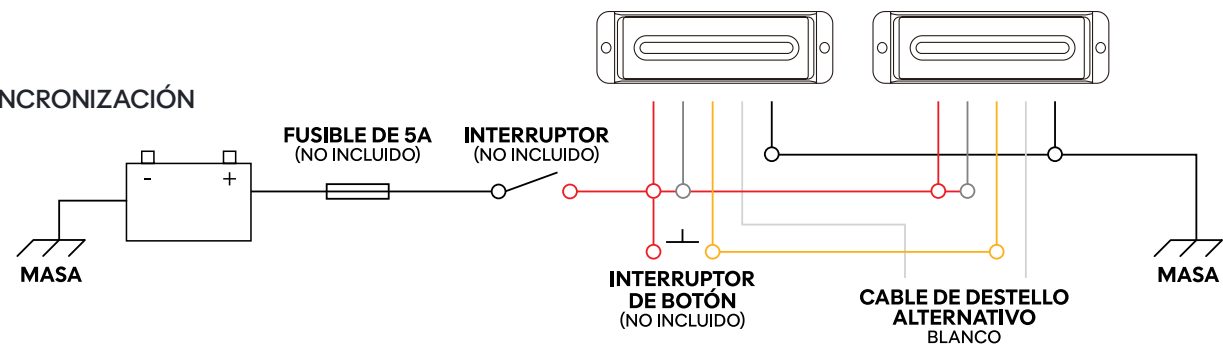
DIAGRAMA DE CABLEADO BICOLOR (HDR208AB/AC/AG/AR | HDR212AB/AC/AG/AR | HDR224AB/AC/AG/AR)

Solo para referencia

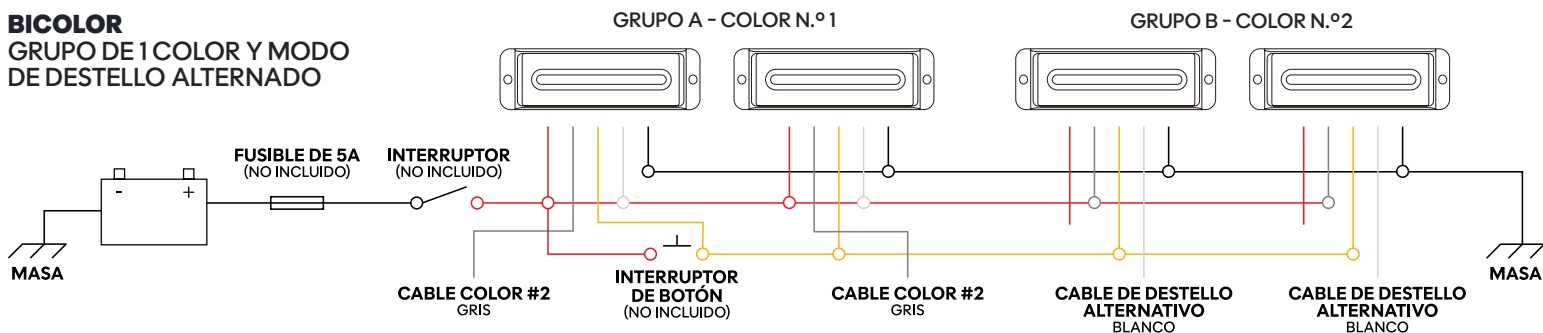
BICOLOR UNIDAD ÚNICA



BICOLOR MODO DE SINCRONIZACIÓN

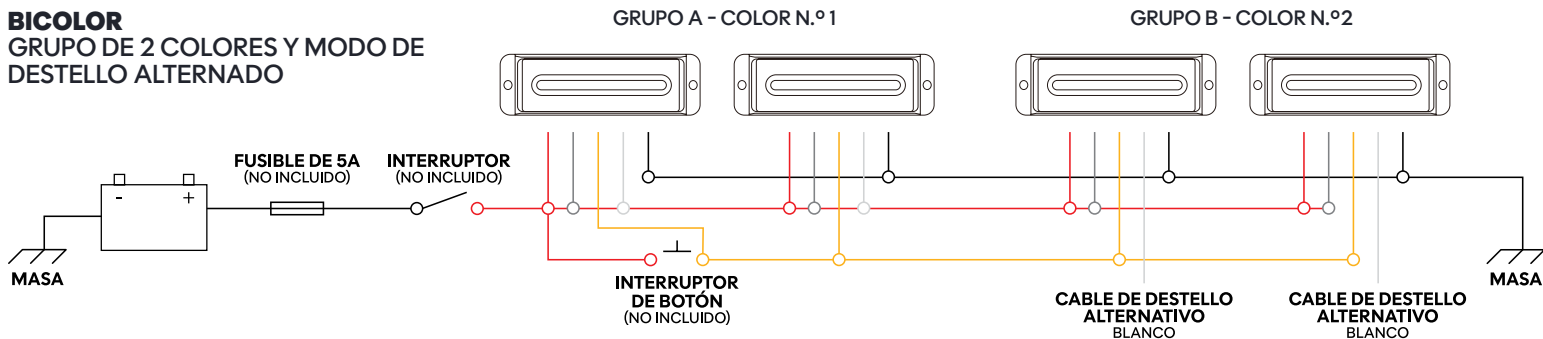


BICOLOR GRUPO DE 1 COLOR Y MODO DE DESTELLO ALTERNADO



NOTE: In this configuration, Group A will flash Color #1, Group B will flash Color #2.

BICOLOR GRUPO DE 2 COLORES Y MODO DE DESTELLO ALTERNADO



NOTA: En esta configuración, el Grupo A alternará el parpadeo entre el Color n.º 1 y el Color n.º 2, y el Grupo B hará lo mismo. Además, el Grupo A y el Grupo B alternarán su parpadeo entre sí.

#	PATRON DE FLASH	#	PATRON DE FLASH
1	Flash único (R65)	14	Triple flash - alternativo
2	Flash único - lento (CA T13)	15	Cuádruple flash - alternativo
3	Doble flash (Clase 1 y R65)	16	Flash Óctuple - rápido - alternativo
4	Doble flash - lento	17	Flash único - dividido
5	Triple flash	18	Doble flash - dividido
6	Cuádruple flash	19	Cuádruple flash - dividido
7	Cuádruple Flash - lento	20	Flash Óctuple - dividido
8	Flash Óctuple - rápido	21	Flash único - dividido - acelerar
9	Flash Óctuple - lento	22	Doble flash - dividido - acelerar
10	Doce flash	23	SOS flash
11	Dieciséis flash	24	Ciclo (1,8,3,9,4,18)
12	Flash único - alternativo	25	Ciclo (2,7,9,11,19,21)
13	Doble flash - alternativo	26	Sigue adelante

#	PATRON DE FLASH	#	PATRON DE FLASH
1	Flash único	11	Doble flash - lento
2	Doble flash (clase 1)	12	Triple flash
3	Cuádruple flash	13	Cuádruple flash - lento
4	Octa flash	14	Flash Óctuple - Lento
5	Flash único - alternativo	15	Doce flash
6	Doble flash - alternativo	16	Flash Único - acelerar Bicolor: izquierda C1 derecha C2
7	Cuádruple flash - alternativo	17	Doble flash - acelerar
8	Flash Óctuple - alternativo Bicolor: izquierda C1 derecha C2	18	SOS flash
9	Flash único - lento (CA T13)	19	Sigue adelante
10	Flash único - como el aliento		

MANTENIMIENTO

- Limpie la lente exterior utilizando únicamente agua y jabón. Evite utilizar cualquier otro producto químico, ya que podría provocar grietas (fisuras) o decoloración prematura en la lente. Las lentes dañadas o descoloridas pierden eficacia y deben sustituirse inmediatamente.
- Inspeccione y pruebe este producto con regularidad para asegurarse de que funciona correctamente y está bien fijado.
- No utilice una hidrolimpiadora para limpiar este producto.

IMPORTANTE

Antes de volver a poner el vehículo en servicio, compruebe visualmente que este producto, así como el resto del equipamiento del vehículo, funciona correctamente.

SOLUCIÓN DE PROBLEMAS

La mayoría de los problemas, como el funcionamiento intermitente, el comportamiento errático o el fallo total, suelen estar causados por problemas de cableado o de batería. Compruebe todo el cableado, las conexiones, los fusibles, los interruptores y el voltaje de la batería para asegurarse de que el dispositivo recibe el voltaje correcto.

Si el problema persiste, póngase en contacto con su distribuidor local para solicitar una sustitución en garantía o llame al servicio de atención al cliente de HELIX al 1-888-950-2227 para obtener más ayuda.

CALIFORNIA, TÍTULO 13 REQUISITOS DE INSTALACIÓN

§ 685. Instalación y mantenimiento.

Los equipos de iluminación deberán estar firmemente montados en una parte rígida del vehículo para evitar vibraciones perceptibles del haz y deberán mantenerse con la orientación adecuada tanto cuando el vehículo esté parado como en movimiento. Ningún dispositivo de iluminación, salvo que se permita lo contrario, se montará de manera que cualquier parte del vehículo, la carga o el equipo del vehículo interfiera con la distribución de la luz o disminuya su intensidad dentro de los ángulos de prueba fotométrica, a menos que se instale un dispositivo adicional para que la combinación de ambos cumpla estos requisitos. Las alturas de montaje se medirán desde el centro de la lámpara o el reflector hasta la superficie nivelada sobre la que se encuentra el vehículo cuando no lleva carga.

Créditos

Nota: Autoridad citada: Sección 26103, Código de Vehículos. Referencia: Secciones 24012 y 26103, Código de Vehículos.

§ 686. Montaje de dispositivos de recambio.

Las luces de recambio con marcas de orientación, como «top» (parte superior), se montarán de acuerdo con las marcas. Las unidades ópticas selladas y semiselladas se instalarán con las letras de la lente en posición vertical. Los reflectores delanteros y traseros deberán montarse de forma segura en una parte rígida del vehículo, con el plano de la lente perpendicular a la calzada y paralelo al eje trasero. Los reflectores laterales deberán montarse con la lente perpendicular a la calzada y paralela a las ruedas traseras. Los dispositivos de recambio con carcasas no ajustables deberán montarse con la base en una superficie horizontal o vertical, según corresponda, a menos que se incluyan instrucciones de montaje diferentes con dichos dispositivos cuando se pongan a la venta.

Créditos

Nota: Autoridad citada: Sección 26103, Código de Vehículos. Referencia: Secciones 24012 y 26103, Código de Vehículos.

§ 687. Montaje de dispositivos originales.

Las luces y los reflectores originales diseñados para una marca concreta de vehículo e instalados en otro vehículo se montarán con el mismo ángulo que en el vehículo para el que fueron diseñados. No es necesario que se monten a la misma altura o con el mismo espaciamiento lateral que en el vehículo original, pero deben cumplir con las limitaciones de altura y ubicación apropiadas establecidas en este título y en el Código de Vehículos.

Créditos

Nota: Autoridad citada: Sección 26103, Código de Vehículos. Referencia: Secciones 24012 y 26103, Código de Vehículos.

TÍTULO 13 DE CALIFORNIA REQUISITOS DE INSTALACIÓN

§ 696. Luces de advertencia de los autobuses escolares.

- Número de luces y ubicaciones requeridas. Se requieren cuatro luces de advertencia en cada autobús escolar. Dos luces intermitentes alternas deberán estar montadas de manera rígida en la parte delantera, una a cada lado, a la misma altura por encima de la parte superior del parabrisas; y dos luces intermitentes alternas deberán estar montadas de manera rígida en la parte trasera, una a cada lado, a la misma altura, con el borde inferior de cada lente no más abajo de la línea superior de las aberturas de las ventanas laterales. Se instalará un panel que sirva de fondo para las luces de advertencia que sobresalgan por encima de la parte superior del autobús escolar.
- Interruptores de funcionamiento. Los interruptores de las luces de advertencia del autobús escolar que el conductor acciona manualmente deberán estar situados al alcance de la mano del conductor.
- Indicador piloto. Se incluirá en el circuito una señal luminosa intermitente visible de al menos 12,7 mm (0,5 pulgadas) de diámetro para indicar de forma clara e inequívoca al conductor cuándo se activan las señales de advertencia. El indicador no deberá quedar oculto a la vista del conductor por ninguna parte del vehículo.
- Espaciado y visibilidad. Las luces de advertencia delanteras y traseras deberán estar separadas lateralmente tanto como sea posible, y en ningún caso la distancia entre ellas deberá ser inferior a 100 cm (39 pulgadas). La visibilidad de las luces de advertencia delanteras y traseras no deberá verse obstaculizada por ninguna parte del vehículo desde 5 grados por encima hasta 10 grados por debajo de la horizontal y desde 30 grados a la derecha hasta 30 grados a la izquierda de la línea central de las luces.
- Fechas de instalación de las luces de advertencia. Las luces de advertencia instaladas en los autobuses escolares después de 1965 deberán ser luces de advertencia rojas de clase C. Las instaladas antes de 1966 y que cumplan los requisitos vigentes en el momento de su instalación podrán seguir utilizándose en los autobuses escolares en los que se instalaron.

Créditos

Nota: Autoridad citada: Sección 26103, Código de Vehículos. Referencia: Secciones 24012, 25257 y 26103, Código de Vehículos.

§ 700. Luces de advertencia.

Las luces de advertencia delanteras obligatorias, excepto las luces de advertencia de los autobuses escolares, se instalarán de manera que toda la superficie proyectada de la lente sea visible desde todas las alturas de los ojos de los conductores de otros vehículos en ángulos comprendidos entre 45 grados a la izquierda y 45 grados a la derecha de la parte delantera del vehículo. Si la luz dentro de estos ángulos obligatorios queda bloqueada por el vehículo o cualquier objeto sustancial que se encuentre en él, se instalará una luz de advertencia adicional dentro del ángulo obstruido. Las luces de advertencia pueden instalarse a cualquier altura.

Créditos

Nota: Autoridad citada: Sección 26103, Código de Vehículos. Referencia: Secciones 24012 y 26103, Código de Vehículos.



Garantía:

YOURTRUCKSHOP INC. ("HELIX") garantiza que por un período de [sesenta (60) meses] a partir de la fecha de compra del Producto a HELIX o a su distribuidor (el "Período de garantía"), dicho Producto es apto para uso normal y está libre de defectos ocultos, y se ajustará materialmente a las especificaciones publicadas de HELIX vigentes a la fecha de dicha compra (la "Garantía").

LA GARANTÍA NO CUBRE PRODUCTOS CUANDO LOS PRODUCTOS (A) HAYAN SIDO SOMETIDOS A ABUSO, MAL USO, MANIPULACIÓN, NEGLIGENCIA O FALLA, ACCIDENTE, PRUEBAS INADECUADAS, INSTALACIÓN INADECUADA, ALMACENAMIENTO INADECUADO, MANEJO INADECUADO, ESTRÉS FÍSICO ANORMAL, CONDICIONES AMBIENTALES ANORMALES, INSTALACIÓN U OPERACIÓN INADECUADAS O USO CONTRARIO A CUALQUIER INSTRUCCIÓN EMITIDA POR HELIX; (B) HAYAN SIDO RECONSTRUIDOS, REPARADOS O ALTERADOS POR PERSONAS QUE NO SEAN TRUX O SUS REPRESENTANTES AUTORIZADOS; O (C) NO HAYAN RECIBIDO MANTENIMIENTO DE ACUERDO CON LOS PROCEDIMIENTOS DE MANTENIMIENTO ESTABLECIDOS EN EL DIAGRAMA DE CABLEADO, LAS ESPECIFICACIONES DEL PRODUCTO Y LA GUÍA DE COMPLETA DE INSTALACIÓN DE HELIX.

Todas las reclamaciones de garantía/devolución deben solicitarse a través de nuestro distribuidor autorizado de HELIX. HELIX solo procesará reclamaciones de un distribuidor autorizado de HELIX. Para obtener más información sobre la garantía/política de devolución, comuníquese con su distribuidor de HELIX.

Exclusión de otras garantías:

Aviso a los consumidores de Quebec

No obstante lo siguiente, la Ley de Protección al Consumidor (Quebec) otorga a los Consumidores (según se define en dicha Ley) la siguiente garantía legal sobre todos los bienes que compran o alquilan de un comerciante o fabricante. Los bienes deben ser:

- Aptos para los fines a que se destinan ordinariamente; y
- Duraderos en uso normal durante un período de tiempo razonable, que podrá variar según el precio pagado, los términos del contrato y las condiciones de uso.

EXCEPTUANDO LAS GARANTÍAS EXPRESAS ESTABLECIDAS ANTERIORMENTE EN "GARANTÍA", HELIX NO OFRECE NINGUNA GARANTÍA CON RESPECTO A LOS PRODUCTOS, INCLUYENDO CUALQUIER (A) GARANTÍA O CONDICIÓN DE COMERCIABILIDAD; (B) GARANTÍA O CONDICIÓN DE IDONEIDAD PARA UN PROPÓSITO PARTICULAR; O (C) GARANTÍA O CONDICIÓN DE CALIDAD O DE AUSENCIA DE DEFECTOS LATENTES, YA SEA EXPRESA O IMPLÍCITA POR LEY, CURSO DE NEGOCIO, CURSO DE EJECUCIÓN, USO DEL COMERCIO O DE OTRO MODO. EL COMPRADOR RECONOCE QUE NO SE HA APOYADO EN NINGUNA REPRESENTACIÓN, CONDICIÓN O GARANTÍA HECHA POR HELIX O CUALQUIER OTRA PERSONA EN NOMBRE DE HELIX.

Recursos y limitación de responsabilidad:

LA ÚNICA RESPONSABILIDAD DE HELIX Y EL RECURSO EXCLUSIVO DEL COMPRADOR EN VIRTUD DEL CONTRATO, AGRAVIO (INCLUIDA LA NEGLIGENCIA Y CULPA) O BAJO CUALQUIER OTRA TEORÍA CONTRA HELIX CON RESPECTO AL PRODUCTO Y SU USO SERÁ, A DISCRECIÓN DE HELIX, EL REEMPLAZO O LA REPARACIÓN DEL PRODUCTO, O EL REEMBOLSO DEL PRECIO DE COMPRA EN SU TOTALIDAD. EN NINGÚN CASO LA RESPONSABILIDAD DE HELIX QUE SURJA DE ESTA GARANTÍA O DE CUALQUIER OTRO RECLAMO RELACIONADO CON EL PRODUCTO HELIX EXCEDERÁ EL MONTO PAGADO POR EL PRODUCTO POR EL COMPRADOR. EN NINGÚN CASO SERÁ HELIX RESPONSABLE POR PÉRDIDAS DE GANANCIAS, EL COSTO DE EQUIPO O MANO DE OBRA SUSTITUTOS, DAÑOS A LA PROPIEDAD O DAÑOS ESPECIALES, DERIVADOS O INCIDENTALES BASADOS EN CUALQUIER RECLAMO POR INCUMPLIMIENTO DE CONTRATO, INSTALACIÓN INCORRECTA, NEGLIGENCIA, FALLA U OTRO RECLAMO, INCLUSO SI HELIX O UN REPRESENTANTE DE HELIX HA SIDO ADVERTIDO DE LA POSIBILIDAD DE DICHOS DAÑOS. HELIX NO TENDRÁ NINGUNA OTRA OBLIGACIÓN O RESPONSABILIDAD CON RESPECTO AL PRODUCTO O SU VENTA, OPERACIÓN Y USO, Y HELIX NO ASUME NI AUTORIZA LA ASUNCIÓN DE NINGUNA OTRA OBLIGACIÓN O RESPONSABILIDAD EN RELACIÓN CON DICHO PRODUCTO.

Ley aplicable:

SI USTED ES UN CONSUMIDOR (SEGÚN SE DEFINE EN LA LEY DE PROTECCIÓN AL CONSUMIDOR DE QUEBEC) RESIDENTE EN QUEBEC, ESTA GARANTÍA Y TODOS LOS DOCUMENTOS RELACIONADOS SE RIGEN POR LAS LEYES DE LA PROVINCIA DE QUEBEC Y LAS LEYES DE CANADÁ APLICABLES ALLÍ.

Salvo en la medida requerida por cualquier legislación de protección al consumidor aplicable, esta Garantía y todos los documentos relacionados se rigen por las leyes de la Provincia de Ontario y las leyes de Canadá allí aplicables. Además, es posible que tenga otros derechos legales que varían de una jurisdicción a otra. En la medida en que la legislación de protección al consumidor de su provincia o territorio prevalezca sobre la presente Garantía ("Ley aplicable"), sus derechos serán determinados por la Ley aplicable a usted.

Ninguna parte de este documento puede ser reproducida o transmitida en ninguna forma sin el permiso por escrito del autor. © 2025 YourTruckShop Inc. Todos los derechos reservados.