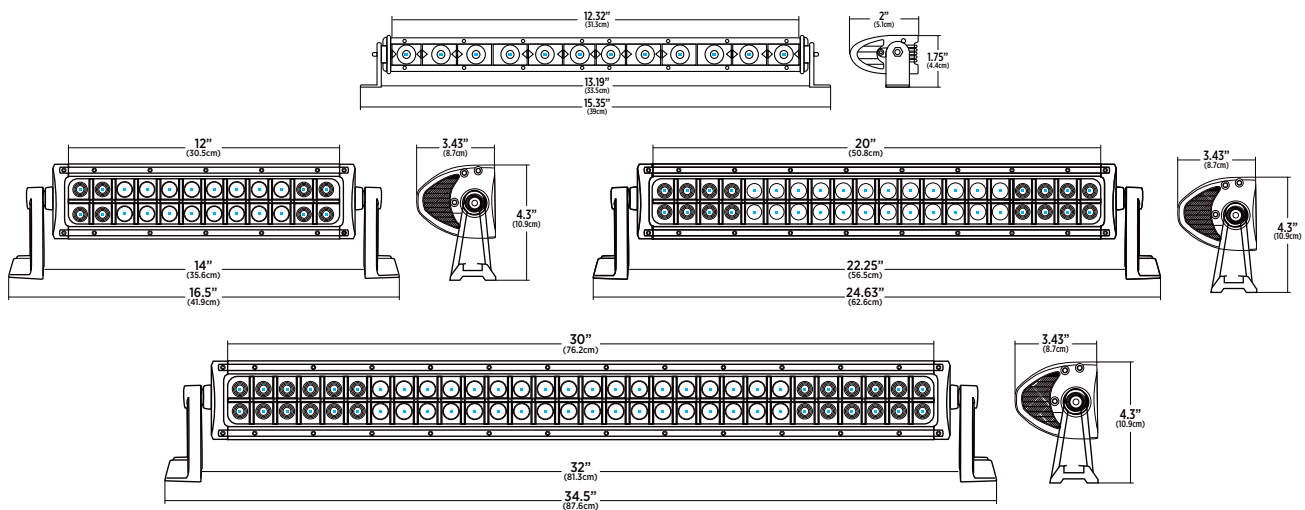


HELIX

SAFETY ESSENTIALS

HUTLBFS12C | HUTLBFS14C HUTLBFS22C | HUTLBFS32C

COMPLETE INSTALLATION GUIDE
GUIDE D'INSTALLATION COMPLET
GUÍA DE COMPLETA DE INSTALACIÓN



IMPORTANT: Before installing or operating this product, both the installation technician and the operator must read this manual in full. It contains critical information that can help prevent serious injury or damage. Be sure to provide these instructions to the end user.

CAUTION: These instructions are provided as a general guideline only. Additional mounting, wiring and/or weather seals may be required and are the responsibility of the installer. The manufacturer assumes no responsibility for the integrity of the installation.



WARNING!

- This document contains all the essential information required for the proper and safe installation of your HELIX product.
- Do not install or operate this product unless you have read and understood the information contained in this Installation Guide.
- Failure to follow these safety guidelines could result in damage to the product, vehicle and can even cause serious injury and/or death to those you are seeking to protect.
- Helix recommends this product to be installed professionally.

SAFETY PRECAUTIONS

- 1. Authorized Use Only:** This equipment is intended for use by authorized personnel only. Users are responsible for knowing and complying with all applicable city, state, and federal laws regarding utility light bars. The manufacturer assumes no liability for any loss resulting from improper use of this product.
- 2. Installer Qualifications:** Proper installation of this product requires the installer to have a solid understanding of automotive electronics, systems, and procedures.
- 3. Warranty Notice:** Using non-specified installation parts or hardware will void the product warranty.
- 4. Training and Installation:** Proper installation, along with comprehensive operator training in the use, care, and maintenance of work lamps and auxiliary lighting is essential to ensure the safety of both professional personnel and the public.
- 5. Daily Inspection and Signal Projection:** It is the responsibility of the vehicle operator to verify daily that all features of this product are functioning correctly. While in use, ensure that the utility light bar is not obstructed by vehicle components (e.g., open trunks, compartment doors), people, vehicles, or other barriers.
- 6. For Off-Road or Parked Use Only:** This utility light bar is not intended for use while driving, as it may create a safety hazard for other drivers. Use only when the vehicle is off-road or safely parked.
- 7. Proper installation is critical:** Correct placement and installation are vital to the device's performance. Install the system to maximize output and ensure controls are within easy reach of the operator, allowing safe operation without taking eyes off the road.
- 8. Safety Precautions for Drilling Installation:** If installation of this product involves drilling holes, the installer must ensure that no vehicle components or other critical parts are at risk of damage. Always inspect both sides of the mounting surface before drilling. After drilling, remove any burrs to ensure a clean, safe installation.
- 9. Warning: High-Intensity Light Hazard:** This product includes strobe lights, halogen bulbs, high-intensity LEDs, or a combination thereof. Do not look directly into the lights, as doing so may cause temporary blindness or permanent eye damage.
- 10. Check for obstructions during use:** Operators must ensure the utility light bar is not blocked by open compartments, vehicle components, bystanders, or other obstacles. Always verify system functionality during use.
- 11. Optimal Placement of Controls for Operator Safety:** Install the product controls in a location that is easily accessible and allows the operator to maintain continuous visual contact with the roadway. This ensures both convenience and safety during operation.
- 12. Air Bag Deployment Zones:** Do not install this product or route any wiring in areas that may interfere with air bag deployment. Equipment in these zones can impair air bag effectiveness or become dangerous projectiles. Consult the vehicle owner's manual to identify deployment zones and ensure a mounting location that minimizes risk, especially avoiding head impact areas.
- 13. Electrical Safety:** Many utility light bars operate using high electrical voltages and/or currents. Always exercise caution when working with live electrical connections.
- 14. Grounding Requirements:** This product must be properly grounded. Improper grounding or shorted electrical connections can result in high current arcing, posing risks of personal injury and/or severe vehicle damage, including fire. If wires are not properly bonded and grounded, this could cause a fire hazard.
- 15. NOT FOLLOWING THESE PRECAUTIONS AND INSTRUCTIONS MAY CAUSE DAMAGE TO THE PRODUCT OR VEHICLE AND COULD LEAD TO SERIOUS INJURY TO YOU OR YOUR PASSENGERS.**

PART #	COMPLIANCES
HUTLBFS12C	R10, CE
HUTLBFS14C	R10, CE, UKCA, RoHS

PART #	COMPLIANCES
HUTLBFS22C	R10, CE, UKCA, RoHS
HUTLBFS32C	R10, CE, UKCA, RoHS

INSTALLATION

Important Safety Instructions:

1. Disable power before wiring up the device.
2. Before drilling into any vehicle surface, ensure the area is clear of electrical wiring, fuel lines, upholstery, and any other components that could be damaged.
3. Please use the included fuse and relay to ensure the utility bar continues operating even if another electrical accessory fails. If you choose to use your own components instead, make sure they meet or exceed the minimum specifications and requirements for this accessory.
4. Carefully remove the utility bar from its packaging and place it on a flat, stable surface.
5. Inspect the unit thoroughly for transit damage and confirm all parts are present.
6. Do not use any parts that appear damaged or broken. If you find damage or missing parts, contact the transit company or HELIX immediately.

Mounting Instructions:

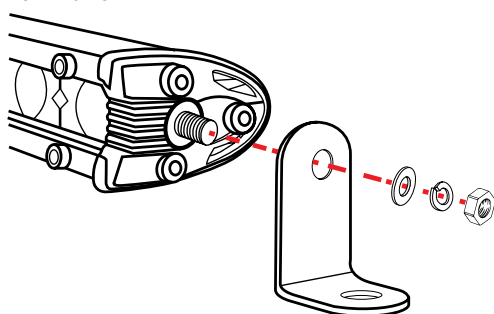
Before starting installation, carefully plan all wiring and cable routing. Prioritize ease of access for future maintenance or adjustments. Select a flat, smooth surface for mounting the utility bar, ensuring it is centered across the width of the vehicle. When determining the mounting location and configuration, consider the following:

- Ensure full compliance with all applicable local, state, and federal regulations, including any requirements for utility bar covers.
- Maintain a minimum clearance of ½ inch between the utility bar and the vehicle roof at all points.

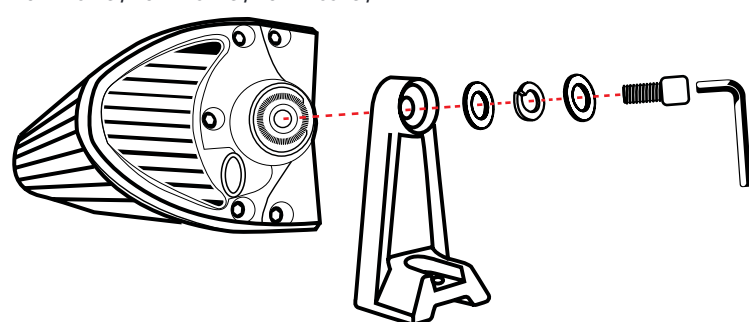
Bracket Installation:

Secure the "L Brackets" to the utility bar with the included hardware as per below diagram.

HUTLBFS12C



HUTLBFS14C / HUTLBFS22C / HUTLBFS32C /



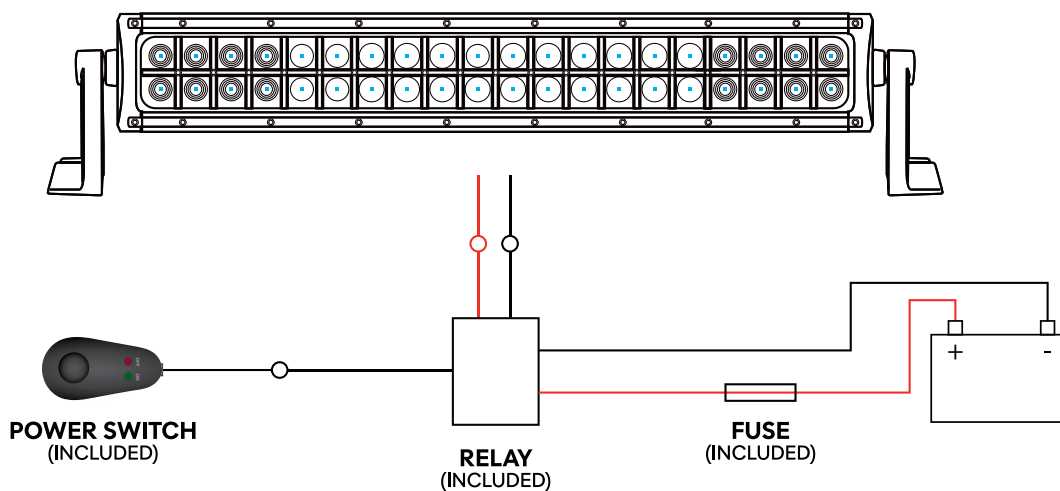
WIRING

Important:

1. Disconnect Power First:
 - Always disable power before wiring the utility light bar.
2. Use Proper Connections:
 - Use larger wires and tight connections for longer component life.
 - For high-current wiring, use terminal blocks or soldered connections with shrink tubing.
 - Do not use insulation displacement connectors.
3. Protect Wiring:
 - Route wires through grommets with sealant when passing through compartment walls.
 - Use looms, ties, and grommets to secure and protect wiring from heat and moving parts.
 - Avoid splices; fewer splices = less voltage drops and failure risk.
 - Choose connection and splice locations carefully to prevent corrosion and conductivity loss, which can affect the work light's performance.
4. Fuse and Breaker Placement:
 - Install fuses/circuit breakers close to the power source.
 - Size them properly to protect both the wiring and devices.
5. Grounding:
 - Ground only to substantial chassis parts, preferably the vehicle battery.
6. Heat Sensitivity:
 - High temperatures reduce wire, fuse, and breaker capacity.
 - Circuit breakers may false trip if mounted in hot locations or run near capacity.
7. Additional Recommendations:
 - Apply dielectric grease around all electrical connections exposed to moisture or the ambient environment to help protect them from corrosion and water ingress.
 - It is recommended to upgrade to a thicker wire (e.g., 16 AWG) after the first 10 feet of wiring. For every additional 10 feet, continue switching to a thicker gauge to minimize voltage drop and maintain optimal performance.
 - Always use minimum wire sizes and recommendations provided by the manufacturer (where applicable).

WIRING DIAGRAM

For Reference Only



MAINTENANCE

1. Clean the outer lens using only soap and water. Avoid using any other chemicals, as they may cause the lens to crack (crazing) or discolor prematurely. Damaged or discolored lenses lose effectiveness and must be replaced immediately.
2. Regularly inspect and test this product to ensure it's functioning correctly and securely mounted.
3. Do not use a pressure washer to clean this product.

IMPORTANT:

Before returning the vehicle to service, visually check that this product—and all other vehicle equipment—is working properly.

TROUBLESHOOTING

Most issues—such as intermittent operation, erratic behavior, or complete failure—are typically caused by wiring or battery problems. Please check all wiring, connections, fuse, switch, and battery voltage to ensure the device is receiving the correct voltage.

If the issue persists, contact your local dealer for a warranty replacement or reach out to HELIX Customer Service at 1-888-950-2227 for further assistance.

Warranty:

YOURTRUCKSHOP INC. ("HELIX") warrants that for a period of [sixty (60) months] from the date of purchase of the Product from HELIX or its distributor (the "Warranty Period"), such Product is fit for ordinary use and free from hidden defect, and will materially conform to Helix's published specifications in effect as of the date of such purchase (the "Warranty").

THE WARRANTY DOES NOT COVER PRODUCTS WHERE THE PRODUCTS (A) HAVE BEEN SUBJECTED TO ABUSE, MISUSE, TAMPERING NEGLIGENCE OR FAULT, ACCIDENT, IMPROPER TESTING, IMPROPER INSTALLATION, IMPROPER STORAGE, IMPROPER HANDLING, ABNORMAL PHYSICAL STRESS, ABNORMAL ENVIRONMENTAL CONDITIONS, IMPROPER INSTALLATION OR OPERATION OR USE CONTRARY TO ANY INSTRUCTIONS ISSUED BY HELIX; (B) HAVE BEEN RECONSTRUCTED, REPAIRED, OR ALTERED BY PERSONS OTHER THAN HELIX OR ITS AUTHORIZED REPRESENTATIVES; OR (C) HAVE NOT BEEN MAINTAINED IN ACCORDANCE WITH THE MAINTENANCE PROCEDURES SET FORTH IN HELIX'S WIRING DIAGRAM, PRODUCT SPECIFICATIONS AND COMPLETE INSTALLATION GUIDE.

All warranty/return claims must be requested through our authorized HELIX Distributor. HELIX will only process claims from an authorized HELIX Distributor. For more information on the warranty/return policy, please contact your HELIX Distributor.

Exclusion of Other Warranties:

Notice to Québec Consumers

Notwithstanding the below, the Consumer Protection Act (Québec) gives Consumers (as defined in said Act) the following legal warranty on all goods they purchase or lease from a merchant or manufacturer. The goods must be:

- Fit for the purposes for which they are ordinarily used; and
- Durable in normal use for a reasonable length of time, which may vary according to the price paid, the terms of the contract and the conditions of use.

EXCEPT FOR THE EXPRESS WARRANTIES SET FORTH ABOVE IN "WARRANTY", HELIX MAKES NO WARRANTY WHATSOEVER WITH RESPECT TO THE PRODUCTS, INCLUDING ANY (A) WARRANTY OR CONDITION OF MERCHANTABILITY; (B) WARRANTY OR CONDITION OF FITNESS FOR A PARTICULAR PURPOSE; OR (C) WARRANTY OR CONDITION OF QUALITY OR OF NO LATENT DEFECTS, WHETHER EXPRESS OR IMPLIED BY LAW, COURSE OF DEALING, COURSE OF PERFORMANCE, USAGE OF TRADE, OR OTHERWISE. BUYER ACKNOWLEDGES THAT IT HAS NOT RELIED UPON ANY REPRESENTATION, CONDITION OR WARRANTY MADE BY HELIX, OR ANY OTHER PERSON ON HELIX'S BEHALF.

Remedies and Limitation of Liability:

HELIX'S SOLE LIABILITY AND BUYER'S EXCLUSIVE REMEDY IN CONTRACT, TORT (INCLUDING NEGLIGENCE AND FAULT), OR UNDER ANY OTHER THEORY AGAINST HELIX REGARDING THE PRODUCT AND ITS USE SHALL BE, AT HELIX'S DISCRETION, EITHER THE REPLACEMENT OR REPAIR OF THE PRODUCT, OR THE REFUND OF THE PURCHASE PRICE IN FULL. IN NO EVENT SHALL HELIX'S LIABILITY ARISING OUT OF THIS WARRANTY OR ANY OTHER CLAIM RELATED TO THE HELIX'S PRODUCT EXCEED THE AMOUNT PAID FOR THE PRODUCT BY BUYER. IN NO EVENT SHALL HELIX BE LIABLE FOR LOST PROFITS, THE COST OF SUBSTITUTE EQUIPMENT OR LABOUR, PROPERTY DAMAGE, OR SPECIAL, CONSEQUENTIAL, OR INCIDENTAL DAMAGES BASED UPON ANY CLAIM FOR BREACH OF CONTRACT, IMPROPER INSTALLATION, NEGLIGENCE, FAULT OR OTHER CLAIM, EVEN IF HELIX OR A REPRESENTATIVE OF HELIX HAS BEEN ADVISED OF THE POSSIBILITY OF SUCH DAMAGES. HELIX SHALL HAVE NO FURTHER OBLIGATION OR LIABILITY WITH RESPECT TO THE PRODUCT OR ITS SALE, OPERATION AND USE, AND HELIX NEITHER ASSUMES NOR AUTHORIZES THE ASSUMPTION OF ANY OTHER OBLIGATION OR LIABILITY IN CONNECTION WITH SUCH PRODUCT.

Governing Law:

IF YOU ARE A CONSUMER (AS DEFINED IN THE QUÉBEC CONSUMER PROTECTION ACT) RESIDENT IN QUÉBEC, THIS WARRANTY AND ALL RELATED DOCUMENTS ARE GOVERNED BY THE LAWS OF THE PROVINCE OF QUÉBEC AND THE LAWS OF CANADA APPLICABLE THEREIN.

Except to the extent required by any applicable consumer protection legislation, this Warranty and all related documents are governed by the laws of the Province of Ontario and the laws of Canada applicable therein. Additionally, you may have other legal rights which vary from jurisdiction to jurisdiction. To the extent that the consumer protection legislation in your province or territory take precedence over the present Warranty ("Governing Law"), your rights will be determined by the Governing Law applicable to you.



IMPORTANT : Avant d'installer ou d'utiliser ce produit, le technicien chargé de l'installation et l'opérateur doivent lire ce manuel dans son intégralité. Il contient des informations essentielles qui peuvent aider à prévenir des blessures graves ou des dommages importants. Veuillez à fournir ces instructions à l'utilisateur final.

ATTENTION : Ces instructions sont fournies à titre indicatif uniquement. Des fixations, câblages et/ou joints d'étanchéité supplémentaires peuvent être nécessaires et relèvent de la responsabilité de l'installateur. Le fabricant décline toute responsabilité quant à l'intégrité de l'installation.



AVERTISSEMENT!

- Ce document contient toutes les informations essentielles nécessaires à l'installation correcte et sécurisée de votre produit HELIX.
- N'installez pas et n'utilisez pas ce produit avant d'avoir lu et compris les informations contenues dans ce guide d'installation.
- Le non-respect de ces consignes peut endommager le produit et le véhicule, voire causer des blessures graves, voire mortelles, aux personnes que vous cherchez à protéger.
- HELIX recommande de faire installer ce produit par un professionnel.

GUIDE DE SÉCURITÉ

- Utilisation réservée aux personnes autorisées:** Cet équipement est destiné à être utilisé uniquement par du personnel autorisé. Les utilisateurs sont tenus de connaître et de respecter toutes les lois municipales, régionales et fédérales applicables concernant les dispositifs d'éclairage de travail. Le fabricant décline toute responsabilité en cas de perte résultant d'une utilisation inappropriée de ce produit.
 - Qualifications de l'installateur:** Pour installer correctement ce produit, l'installateur doit avoir une bonne connaissance de l'électronique automobile, des systèmes et des procédures.
 - Avis de garantie:** L'utilisation de pièces ou de matériel d'installation non spécifiés annule la garantie du produit.
 - Formation et installation:** Une installation correcte, ainsi qu'une formation complète des opérateurs à l'utilisation, à l'entretien et à la maintenance des dispositifs d'éclairage de travail, sont essentielles pour assurer le bien-être du personnel d'urgence et du public.
 - Inspection quotidienne et projection du signal:** Il incombe au conducteur du véhicule de vérifier quotidiennement que toutes les fonctionnalités de ce produit fonctionnent correctement. Pendant l'utilisation, assurez-vous que le projecteur de travail n'est pas obstrué par des composants du véhicule (par exemple, coffres ouverts, portes de compartiments), des personnes, des véhicules ou d'autres obstacles.
 - À utiliser uniquement hors route ou à l'arrêt :** Cette rampe lumineuse utilitaire n'est pas conçue pour être utilisée pendant la conduite, car elle peut présenter un danger pour les autres conducteurs. À utiliser uniquement lorsque le véhicule est hors route ou garé en toute sécurité.
 - Une installation correcte est essentielle:** Un placement et une installation corrects sont essentiels au bon fonctionnement du projecteur de travail. Installez le système de manière à optimiser le rendement et assurez-vous que les commandes sont à portée de main du conducteur, ce qui permet une utilisation en toute sécurité sans quitter la route des yeux.
 - Précautions pour l'installation par perçage:** Si l'installation de ce produit nécessite de percer des trous, l'installateur doit s'assurer qu'aucun composant du véhicule ou autre pièce critique ne risque d'être endommagé. Inspectez toujours les deux côtés de la surface de montage avant de percer. Après le perçage, éliminez les bavures pour garantir une installation propre et sûre.
 - Avertissement: risque lié à la lumière à haute intensité:** Ce produit comprend des lumières stroboscopiques, des ampoules halogènes, des LED à haute intensité ou une combinaison de ces éléments. Ne regardez pas directement les lumières, car cela pourrait causer une cécité temporaire ou des lésions oculaires permanentes.
 - Vérifier l'absence d'obstacles pendant l'utilisation:** les opérateurs doivent s'assurer que le projecteur de travail n'est pas bloqué par des compartiments ouverts, des composants du véhicule, des passants ou d'autres obstacles. Toujours vérifier le bon fonctionnement du système pendant l'utilisation.
 - Emplacement optimal des commandes pour l'opérateur:** installer les commandes du produit à un endroit facilement accessible et permettant à l'opérateur de garder un contact visuel permanent avec la chaussée. Cela garantit à la fois la commodité et la visibilité pendant le fonctionnement.
 - Zones de déploiement des airbags:** N'installez pas ce produit et ne posez aucun câble dans des zones susceptibles d'interférer avec le déploiement des airbags. Les équipements installés dans ces zones peuvent nuire à l'efficacité des airbags ou devenir des projectiles dangereux. Consultez le manuel du propriétaire du véhicule pour identifier les zones de déploiement et choisir un emplacement de montage qui minimise les risques, en évitant notamment les zones d'impact au niveau de la tête.
 - Consignes électriques :** De nombreux dispositifs d'éclairage de travail fonctionnent à des tensions et/ou des courants électriques élevés. Soyez toujours prudent lorsque vous travaillez avec des connexions électriques sous tension.
 - Exigences en matière de mise à la terre:** Ce produit doit être correctement mis à la terre. Une mise à la terre incorrecte ou des connexions électriques court-circuitées peuvent entraîner la formation d'arcs électriques à courant élevé, présentant des risques de blessures corporelles et/ou de dommages graves au véhicule, y compris un incendie. Si les fils ne sont pas correctement reliés et mis à la terre, cela peut présenter un risque d'incendie.
- 15. LE NON-RESPECT DE CES PRÉCAUTIONS ET INSTRUCTIONS PEUT ENDOMMAGER LE PRODUIT OU LE VÉHICULE ET ENTRAÎNER DES BLESSURES GRAVES POUR VOUS OU VOS PASSAGERS.**

PIÈCE #	CONFORMITÉS
HUTLBFS12C	R10, CE
HUTLBFS14C	R10, CE, UKCA, RoHS

PIÈCE #	CONFORMITÉS
HUTLBFS22C	R10, CE, UKCA, RoHS
HUTLBFS32C	R10, CE, UKCA, RoHS

INSTALLATION

Consignes de sécurité importantes:

1. Coupez l'alimentation électrique avant de câbler l'appareil.
2. Avant de percer la surface d'un véhicule, assurez-vous qu'il n'y a pas de câbles électriques, de conduites de carburant, de garnitures ou d'autres composants susceptibles d'être endommagés.
3. Cet appareil doit être connecté à sa propre prise de courant séparée et protégée par un fusible. Cela garantit que la lampe de travail continuera à fonctionner même en cas de défaillance d'un autre accessoire électrique.
4. Retirez délicatement la lampe de travail de son emballage et placez-la sur une surface plane et stable.
5. Inspectez soigneusement l'appareil pour vous assurer qu'il n'a pas été endommagé pendant le transport et vérifiez que toutes les pièces sont présentes.
6. N'utilisez aucune pièce qui semble endommagée ou cassée. Si vous constatez des dommages ou des pièces manquantes, contactez immédiatement la société de transport ou HELIX.

Instructions de montage :

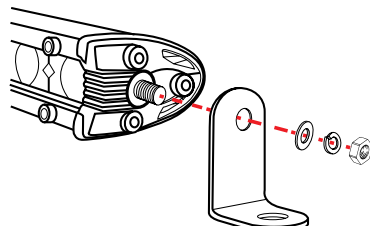
Avant de commencer l'installation, planifiez soigneusement tout le câblage et l'acheminement des câbles. Privilégiez la facilité d'accès pour les opérations de maintenance ou les réglages futurs. Choisissez une surface plane et lisse pour monter la barre utilitaire, en veillant à ce qu'elle soit centrée sur la largeur du véhicule. Lorsque vous déterminez l'emplacement et la configuration du montage, tenez compte des éléments suivants :

- Veuillez à respecter toutes les réglementations locales, régionales et nationales applicables, y compris les exigences relatives aux couvercles de barre utilitaire.
- Maintenez un espace minimum de ½ pouce entre la barre utilitaire et le toit du véhicule en tous points.

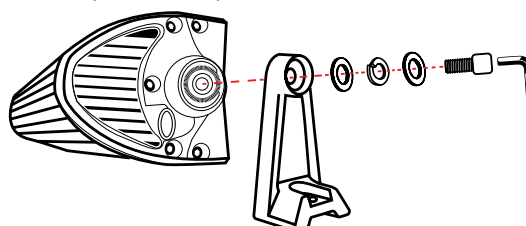
Installation des supports :

Fixez les « supports en L » à la barre utilitaire à l'aide du matériel fourni, comme indiqué dans le schéma ci-dessous.

HUTLBFS12C



HUTLBFS14C / HUTLBFS22C / HUTLBFS32C



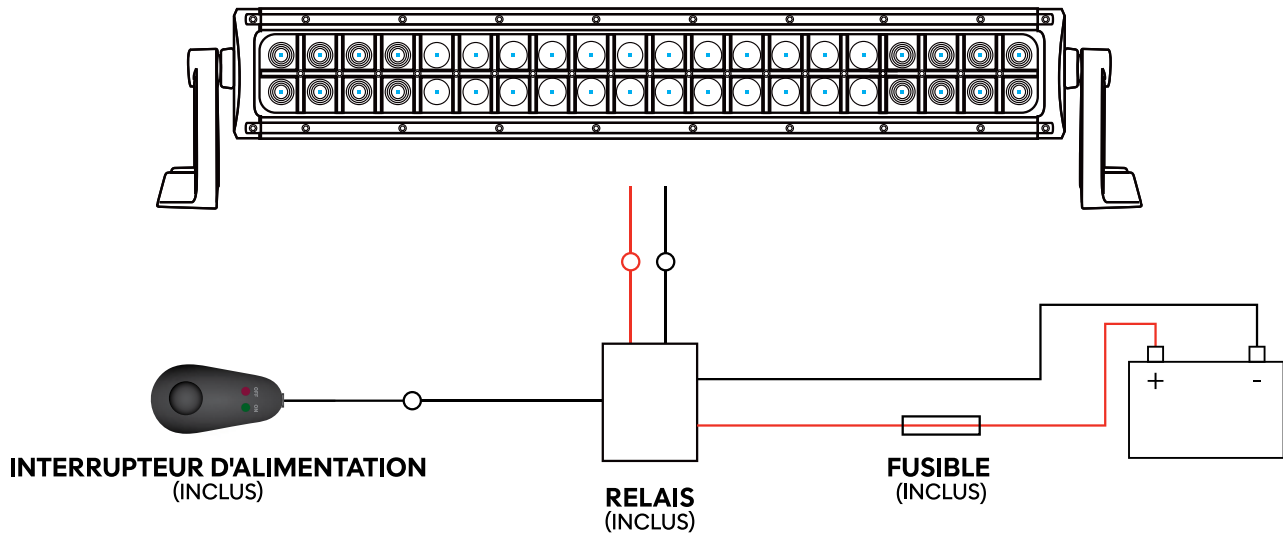
CÂBLAGE

Important:

1. Débranchez d'abord l'alimentation électrique:
 - Coupez toujours l'alimentation électrique avant de brancher la lampe de travail.
2. Utilisez des connexions appropriées:
 - Utilisez des fils plus gros et des connexions solides pour prolonger la durée de vie des composants.
 - Pour les câblages à courant élevé, utilisez des borniers ou des connexions soudées avec des gaines thermorétractables.
 - N'utilisez pas de connecteurs à déplacement d'isolant.
3. Protéger le câblage:
 - Faites passer les fils à travers des œillets avec du mastic lorsque vous traversez les parois du compartiment.
 - Utilisez des gaines, des attaches et des œillets pour fixer et protéger le câblage de la chaleur et des pièces mobiles.
 - Évitez les épissures ; moins il y a d'épissures, moins il y a de chutes de tension et de risques de défaillance.
 - Choisissez soigneusement les emplacements des connexions et des épissures afin d'éviter la corrosion et la perte de conductivité, qui peuvent affecter les performances de l'éclairage de travail.
4. Emplacement des fusibles et des disjoncteurs:
 - Installez les fusibles/disjoncteurs à proximité de la source d'alimentation.
 - Choisissez-les de taille appropriée afin de protéger à la fois le câblage et les appareils.
5. Mise à la terre:
 - Effectuez la mise à la terre uniquement sur des pièces solides du châssis, de préférence la batterie du véhicule.
6. Sensibilité à la chaleur:
 - Les températures élevées réduisent la capacité des fils, des fusibles et des disjoncteurs.
 - Les disjoncteurs peuvent se déclencher à tort s'ils sont installés dans des endroits chauds ou s'ils fonctionnent à pleine capacité.
7. Recommandations supplémentaires:
 - Appliquez de la graisse diélectrique autour de toutes les connexions électriques exposées à l'humidité ou à l'environnement ambiant afin de les protéger contre la corrosion et les infiltrations d'eau.
 - Il est recommandé de passer à un fil plus épais (par exemple, 16 AWG) après les 3 premiers mètres de câblage. Pour chaque tranche supplémentaire de 3 mètres, continuez à passer à un calibre plus épais afin de minimiser la chute de tension et de maintenir des performances optimales.
 - Utilisez toujours les dimensions minimales de câbles et les recommandations fournies par le fabricant (le cas échéant).

SCHÉMA DE CÂBLAGE

À titre de référence uniquement



ENTRETIEN

1. Nettoyez la lentille extérieure uniquement à l'eau et au savon. Évitez d'utiliser d'autres produits chimiques, car ils pourraient fissurer (craquelures) ou décolorer prématurément la lentille. Les lentilles endommagées ou décolorées perdent leur efficacité et doivent être remplacées immédiatement.
2. Inspectez et testez régulièrement ce produit pour vous assurer qu'il fonctionne correctement et qu'il est solidement fixé.
3. N'utilisez pas de nettoyeur haute pression pour nettoyer ce produit.

IMPORTANT:

Avant de remettre le véhicule en service, vérifiez visuellement que ce produit, ainsi que tous les autres équipements du véhicule, fonctionnent correctement.

DÉPANNAGE

La plupart des problèmes, tels que le fonctionnement intermittent, le comportement erratique ou la panne complète, sont généralement causés par des problèmes de câblage ou de batterie. Veuillez vérifier tout le câblage, les connexions, le fusible, l'interrupteur et la tension de la batterie pour vous assurer que la lampe de travail reçoit la tension correcte.

Si le problème persiste, contactez votre revendeur local pour un remplacement sous garantie ou contactez le service clientèle HELIX au 1-888-950-2227 pour obtenir de l'aide.

HELIX

SAFETY ESSENTIALS

Garantie:

YOURTRUCKSHOP INC. ("HELIX") garantit que, pendant une période de soixante (60) mois à compter de la date d'achat du Produit auprès de HELIX ou de l'un de ses distributeurs (la "Période de garantie"), ledit produit répond à l'usage habituel et exempt de tout vice caché, et est conforme aux spécifications publiées par HELIX en vigueur à la date dudit achat (la "Garantie").

CETTE GARANTIE NE COUVRE PAS LES PRODUITS (A) QUI ONT FAIT L'OBJET D'UN ABUS, D'UNE MAUVAISE UTILISATION, DE NÉGLIGENCE OU FAUTE DE MODIFICATION, D'UN ACCIDENT, D'UN TEST INAPPROPRIÉ, D'UNE INSTALLATION INCORRECTE, D'UN ENTREPOSAGE INAPPROPRIÉ, D'UNE MAUVAISE MANIPULATION, D'UN STRESS ANORMAL, DES CONDITIONS ENVIRONNEMENTALES ANORMALES, D'UNE MAUVAISE INSTALLATION OU FONCTIONNEMENT OU UTILISATION CONTRAIRE AUX INSTRUCTIONS FOURNIES PAR HELIX; (B) QUI ONT ÉTÉ RECONSTRUITS, RÉPARÉS OU MODIFIÉS PAR TOUTE PERSONNE AUTRE QUE HELIX OU SES REPRÉSENTANTS AUTORISÉS; (C) QUI N'ONT PAS ÉTÉ ENTRETENUS CONFORMÉMENT AUX PROCÉDURES D'ENTRETIEN DÉCRITES DANS LE SCHÉMA DE CÂBLAGE, SPÉCIFICATIONS DU PRODUIT ET GUIDE D'INSTALLATION COMPLET D'HELIX.

Toute demande de garantie ou de retour doit être effectuée par l'intermédiaire d'un Distributeur autorisé HELIX. HELIX traitera uniquement les réclamations reçues d'un Distributeur autorisé. Pour plus d'informations sur la politique de garantie ou de retour, veuillez contacter votre Distributeur HELIX.

Exclusion de toutes autres garanties:

Avis aux consommateurs du Québec

Nonobstant ce qui suit, la Loi sur la protection des consommateurs du Québec accorde aux consommateurs (tels que définis dans ladite loi) une garantie légale sur tous les biens qu'ils achètent ou louent d'un commerçant ou d'un fabricant. Ces biens doivent être :

- Tel qu'ils puissent servir à l'usage auxquels ils sont normalement destinés; et
- Tel qu'ils puissent servir à un usage normal pendant une durée raisonnable, eu égard à son prix, aux dispositions du contrat et aux conditions d'utilisation des biens.

À L'EXCEPTION DES GARANTIES EXPRESSES ÉNONCÉES CI-DESSUS DANS LA SECTION "GARANTIE", HELIX N'OFFRE AUCUNE AUTRE GARANTIE RELATIVE AUX PRODUITS, Y COMPRIS TOUTE : (A) GARANTIE DE QUALITÉ MARCHANDE; (B) GARANTIE QUANT AU CARACTÈRE ADÉQUAT À UN USAGE PARTICULIER; OU (C) GARANTIE DE QUALITÉ OU DE DÉFAUTS CACHÉS, QU'IL SOIT EXPRÈS OU IMPLICITE PAR LA LOI, DES COURS DE TRANSACTION, DES MODALITÉS D'EXÉCUTION, D'USAGES COMMERCIAUX OU AUTRE. L'ACHETEUR RECONNAÎT QU'IL NE S'EST PAS FONDÉ SUR AUCUNE DÉCLARATION, CONDITION OU GARANTIE ÉMISE PAR HELIX, OU PAR TOUTE AUTRE PERSONNE AGISSANT AU NOM D'HELIX.

Recours et limitation de responsabilité:

LA SEULE RESPONSABILITÉ DE HELIX ET LE RECOURS EXCLUSIF DE L'ACHETEUR, QUE CE SOIT EN CONTRAT, EN DÉLIT (Y COMPRIS EN CAS DE NÉGLIGENCE OU DE FAUTE), OU EN VERTU DE TOUTE AUTRE THÉORIE CONTRE HELIX, CONCERNANT LE PRODUIT ET SON UTILISATION, CONSISTERA, À LA DISCRÉTION DE HELIX, AU REMPLACEMENT OU À LA RÉPARATION DU PRODUIT, OU LE REMBOURSEMENT INTÉGRAL DU PRIX D'ACHAT. EN AUCUN CAS, LA RESPONSABILITÉ D'HELIX RELATIVE À LA PRÉSENTE GARANTIE OU À TOUTE AUTRE RÉCLAMATION CONCERNANT UN PRODUIT HELIX NE POURRA DÉPASSER LE PRIX PAYÉ PAR L'ACHETEUR POUR CE PRODUIT. HELIX NE SERA EN AUCUN CAS RESPONSABLE DE LA PERTE DE PROFITS, DU COÛT D'ÉQUIPEMENT DE REMPLACEMENT OU DE MAIN-D'ŒUVRE, DE DOMMAGES MATÉRIELS, NI DE TOUT DOMMAGE SPÉCIAL, INDIRECT, ACCESSOIRE OU CONSÉCUTIF RÉSULTANT NOTAMMENT D'UNE VIOLATION DE CONTRAT, D'UNE INSTALLATION INCORRECTE, D'UNE NÉGLIGENCE OU DE TOUTE AUTRE RÉCLAMATION, MÊME SI HELIX OU L'UN DE SES REPRÉSENTANTS A ÉTÉ AVISÉ DE LA POSSIBILITÉ DE TELS DOMMAGES. HELIX N'AURA AUCUNE AUTRE OBLIGATION OU RESPONSABILITÉ CONCERNANT LE PRODUIT, SA VENTE, SON UTILISATION OU SON FONCTIONNEMENT, ET HELIX N'ASSUME, NI N'AUTORISE QUICONQUE À ASSUMER EN SON NOM, AUCUNE AUTRE OBLIGATION OU RESPONSABILITÉ RELATIVE À CE PRODUIT.

Droit applicable:

SI VOUS ÊTES UN CONSOMMATEUR (SELON LA LOI SUR LA PROTECTION DES CONSOMMATEURS DU QUÉBEC) ET RÉSIDÉNT DU QUÉBEC, LA PRÉSENTE GARANTIE ET TOUS LES DOCUMENTS S'Y RATTACHANT SONT RÉGÉS PAR LES LOIS DE LA PROVINCE DU QUÉBEC ET LES LOIS DU CANADA QUI S'Y APPLIQUENT.

Sauf dans la mesure requise par toute disposition relative à la protection du consommateur, la présente Garantie et tous les documents afférents sont régis par les lois de la province de l'Ontario et les lois du Canada qui y sont applicables. De plus, il se peut que vous ayez d'autres droits légaux qui varient selon votre province ou territoire. Dans la mesure où la législation en matière de protection des consommateurs dans votre province ou territoire prévaut sur la présente garantie (le "Droit applicable"), vos droits seront déterminés par le Droit applicable qui vous est applicable.

Aucune partie de ce document ne peut être reproduite ou transmise sous quelque forme que ce soit sans l'autorisation écrite de l'auteur. © 2025 YourTruckShop Inc. Tous droits réservés.

IMPORTANTE: Antes de instalar o utilizar este producto, tanto el técnico instalador como el operador deben leer este manual en su totalidad. Contiene información importante que puede ayudar a prevenir lesiones graves o daños. Asegúrese de proporcionar estas instrucciones al usuario final.

PRECAUCIÓN: Estas instrucciones se proporcionan únicamente a modo de guía general. Es posible que se requieran montajes, cableados y/o sellos de estanqueidad adicionales, cuya responsabilidad recae en el instalador. El fabricante no asume ninguna responsabilidad por la integridad de la instalación.



- Este documento contiene toda la información esencial necesaria para la instalación correcta y segura de su producto HELIX.
- No instale ni utilice este producto sin haber leído y comprendido la información contenida en esta Guía de instalación.
- El incumplimiento de estas instrucciones podría provocar daños en el producto y en el vehículo, e incluso causar lesiones graves o la muerte a las personas a las que pretende proteger
- Helix recomienda que este producto sea instalado por un profesional.

PRECAUCIONES DE SEGURIDAD

- Solo para uso autorizado:** Este equipo está destinado al uso exclusivo por parte de personal autorizado. Los usuarios son responsables de conocer y cumplir todas las leyes municipales, estatales y federales aplicables en materia de dispositivos de alerta de emergencia. El fabricante no asume ninguna responsabilidad por cualquier pérdida que resulte del uso inadecuado de este producto.
 - Cualificaciones del instalador:** Para instalar correctamente este producto, el instalador debe tener un conocimiento sólido de la electrónica, los sistemas y los procedimientos automotrices.
 - Aviso sobre la garantía:** El uso de piezas o hardware de instalación no especificados anulará la garantía del producto.
 - Capacitación e instalación:** La instalación adecuada, junto con una capacitación integral del operador en el uso, cuidado y mantenimiento de los dispositivos de alerta de emergencia, es esencial para garantizar el bienestar tanto del personal de emergencia como del público.
 - Inspección diaria y proyección de señales:** Es responsabilidad del operador del vehículo verificar diariamente que todas las funciones de este producto funcionan correctamente. Durante su uso, asegúrese de que la señal de advertencia no esté obstruida por componentes del vehículo (por ejemplo, maleteros abiertos, puertas de compartimentos), personas, vehículos u otras barreras.
 - La instalación adecuada es fundamental:** La colocación y la instalación correctas son vitales para el rendimiento del dispositivo. Instale el sistema para maximizar el rendimiento y asegúrese de que los controles estén al alcance del operador, lo que permite un funcionamiento seguro sin apartar la vista de la carretera.
 - Precauciones para la instalación con perforación:** Si la instalación de este producto implica perforar agujeros, el instalador debe asegurarse de que ningún componente del vehículo u otras piezas críticas corran el riesgo de sufrir daños. Inspeccione siempre ambos lados de la superficie de montaje antes de perforar. Después de perforar, elimine cualquier rebaba para garantizar una instalación limpia y segura.
 - Advertencia: Peligro de luz de alta intensidad:** Este producto incluye luces estroboscópicas, bombillas halógenas, LED de alta intensidad o una combinación de las mismas. No mire directamente a las luces, ya que hacerlo podría causar ceguera temporal o daños oculares permanentes.
 - Compruebe que no haya obstrucciones durante el uso:** Los operadores deben asegurarse de que la señal de advertencia no esté bloqueada por compartimentos abiertos, componentes del vehículo, transeúntes u otros obstáculos. Verifique siempre el funcionamiento del sistema durante su uso.
 - Ubicación óptima de los controles para el operador:** Instale los controles del producto en un lugar de fácil acceso y que permita al operador mantener un contacto visual continuo con la carretera. Esto garantiza tanto la comodidad como la visibilidad durante el funcionamiento.
 - Zonas de despliegue de las bolsas de aire:** No instale este producto ni coloque ningún cableado en áreas que puedan interferir con el despliegue de las bolsas de aire. Los equipos situados en estas zonas pueden reducir la eficacia de las bolsas de aire o convertirse en proyectiles peligrosos. Consulte el manual del propietario del vehículo para identificar las zonas de despliegue y asegúrese de elegir una ubicación de montaje que minimice el riesgo, evitando especialmente las zonas de impacto en la cabeza.
 - Directrices eléctricas:** Muchos dispositivos de advertencia de emergencia funcionan con altos voltajes y/o corrientes eléctricas. Tenga siempre cuidado al trabajar con conexiones eléctricas activas.
 - Requisitos de conexión a tierra:** Este producto debe estar correctamente conectado a tierra. Una conexión a tierra inadecuada o un cortocircuito en las conexiones eléctricas pueden provocar arcos eléctricos de alta intensidad, lo que supone un riesgo de lesiones personales y/o daños graves al vehículo, incluido un incendio. Si los cables no están correctamente conectados y conectados a tierra, podría producirse un riesgo de incendio.
- 14. EL INCUMPLIMIENTO DE ESTAS PRECAUCIONES E INSTRUCCIONES PUEDE CAUSAR DAÑOS AL PRODUCTO O AL VEHÍCULO Y PODRÍA PROVOCAR LESIONES GRAVES A USTED O A SUS PASAJEROS.**

PARTE #	CONFORMIDADES
HUTLBFS12C	R10, CE
HUTLBFS14C	R10, CE, UKCA, RoHS

PARTE #	CONFORMIDADES
HUTLBFS22C	R10, CE, UKCA, RoHS
HUTLBFS32C	R10, CE, UKCA, RoHS

INSTALACIÓN

Instrucciones importantes:

- Desconecte la alimentación eléctrica antes de conectar el dispositivo.
- Antes de perforar cualquier superficie del vehículo, asegúrese de que el área esté libre de cables eléctricos, conductos de combustible, tapicería y cualquier otro componente que pueda dañarse.
- Esta unidad debe conectarse a su propia toma de corriente independiente con fusible. Esto garantiza que el dispositivo seguirá funcionando incluso si falla otro accesorio eléctrico.
- Retire con cuidado la luz de trabajo de su embalaje y colóquelo sobre una superficie plana y estable.
- Inspeccione minuciosamente la unidad para comprobar que no haya sufrido daños durante el transporte y confirme que todas las piezas estén presentes.
- No utilice ninguna pieza que parezca dañada o rota. Si encuentra daños o piezas faltantes, póngase en contacto con la empresa de transporte o con HELIX inmediatamente.

Instrucciones de montaje:

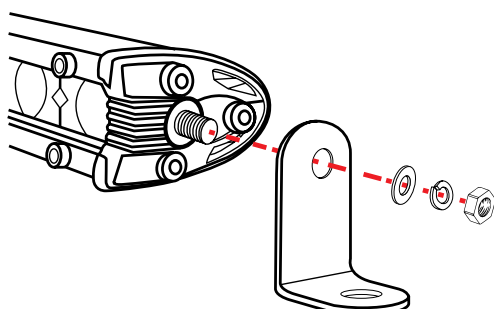
Antes de comenzar la instalación, planifique cuidadosamente todo el cableado y el recorrido de los cables. Priorice la facilidad de acceso para futuros mantenimientos o ajustes. Seleccione una superficie plana y lisa para montar la barra utilitaria, asegurándose de que quede centrada en todo el ancho del vehículo. Al determinar la ubicación y la configuración del montaje, tenga en cuenta lo siguiente:

- Asegúrese de cumplir plenamente con todas las normativas locales, estatales y federales aplicables, incluidos los requisitos relativos a las cubiertas de las barras utilitarias.
- Mantenga una distancia mínima de ½ pulgada entre la barra utilitaria y el techo del vehículo en todos los puntos.

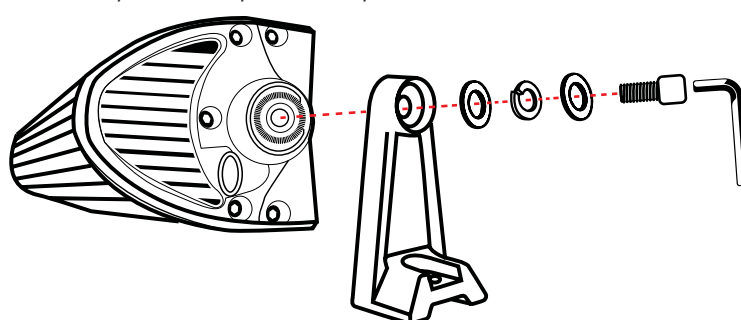
Instalación de los soportes:

Fije los «soportes en L» a la barra utilitaria con los accesorios incluidos, tal y como se muestra en el siguiente diagrama.

HUTLBFS12C



HUTLBFS14C / HUTLBFS22C / HUTLBFS32C /



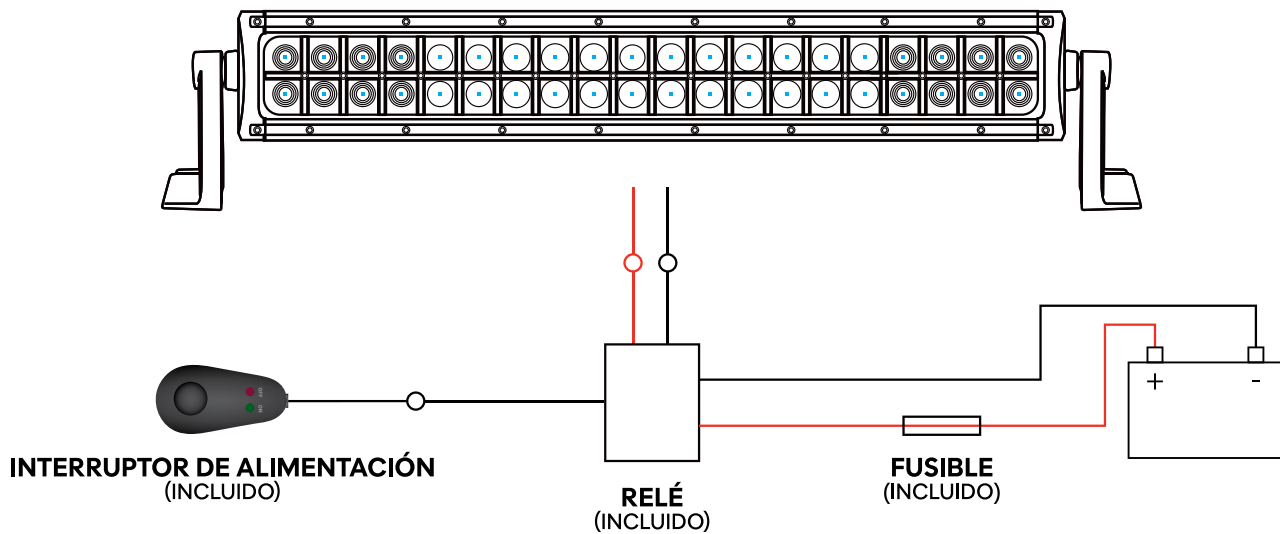
CABLEADO

Importante:

1. Desconecte Primero la Alimentación:
 - Desconecte siempre la alimentación antes de cablear direccional.
2. Use Proper Connections:
 - Use larger wires and tight connections for longer component life.
 - For high-current wiring, use terminal blocks or soldered connections with shrink tubing.
 - Do not use insulation displacement connectors.
3. Proteja el Cableado:
 - Pase los cables por ojales con sellador cuando atraviesen las paredes del compartimento.
 - Utilice fundas, bridas y ojales para fijar y proteger el cableado del calor y las piezas móviles.
 - Evite los empalmes; menos empalmes = menos caídas de tensión y menos riesgo de averías.
4. Colocación de Fusibles y Disyuntores:
 - Instale los fusibles/disyuntores cerca de la fuente de alimentación.
 - Elija el tamaño adecuado para proteger tanto el cableado como los dispositivos.
5. Conexión a Tierra:
 - Conectado únicamente a partes sólidas del chasis, preferiblemente a la batería del vehículo.
6. Sensibilidad al Calor:
 - Las altas temperaturas reducen la capacidad de los cables, fusibles y disyuntores.
 - Los disyuntores pueden dispararse falsamente si se instalan en lugares calientes o funcionan cerca de su capacidad máxima.
7. Recomendaciones Adicionales:
 - Aplique grasa dieléctrica alrededor de todas las conexiones eléctricas expuestas a la humedad o al ambiente para protegerlas de la corrosión y la entrada de agua.
 - Todo el cableado debe ser de un mínimo de 18 AWG.
 - Instale un fusible de 5 amperios en la línea positiva, como se muestra.
 - Se puede añadir un interruptor para controlar la función de encendido/apagado. Conecte el cable de tierra directamente al terminal negativo de la batería.
 - Se recomienda cambiar a un cable más grueso (por ejemplo, 16 AWG) después de los primeros 3 metros de cableado. Por cada 3 metros adicionales, siga cambiando a un calibre más grueso para minimizar la caída de tensión y mantener un rendimiento óptimo.
 - Utilice siempre los tamaños mínimos de cable y las recomendaciones proporcionadas por el fabricante (cuando corresponda).

DIAGRAMA DE CABLEADO

Sólo para referencia



MANTENIMIENTO

- Limpie la lente exterior utilizando únicamente agua y jabón. Evite utilizar cualquier otro producto químico, ya que podría provocar grietas (fisuras) o decoloración prematura en la lente. Las lentes dañadas o descoloridas pierden eficacia y deben sustituirse inmediatamente.
- Inspeccione y pruebe este producto con regularidad para asegurarse de que funciona correctamente y está bien fijado.
- No utilice una hidrolimpiadora para limpiar este producto.

IMPORTANTE

Antes de volver a poner el vehículo en servicio, compruebe visualmente que este producto, así como el resto del equipamiento del vehículo, funciona correctamente.

SOLUCIÓN DE PROBLEMAS

La mayoría de los problemas, como el funcionamiento intermitente, el comportamiento errático o el fallo total, suelen estar causados por problemas de cableado o de batería. Compruebe todo el cableado, las conexiones, los fusibles, los interruptores y el voltaje de la batería para asegurarse de que el dispositivo recibe el voltaje correcto.

Si el problema persiste, póngase en contacto con su distribuidor local para solicitar una sustitución en garantía o llame al servicio de atención al cliente de HELIX al 1-888-950-2227 para obtener más ayuda.

HELIX

SAFETY ESSENTIALS

Garantía:

YOURTRUCKSHOP INC. ("HELIX") garantiza que por un período de [sesenta (60) meses] a partir de la fecha de compra del Producto a HELIX o a su distribuidor (el "Período de garantía"), dicho Producto es apto para uso normal y está libre de defectos ocultos, y se ajustará materialmente a las especificaciones publicadas de HELIX vigentes a la fecha de dicha compra (la "Garantía").

LA GARANTÍA NO CUBRE PRODUCTOS CUANDO LOS PRODUCTOS (A) HAYAN SIDO SOMETIDOS A ABUSO, MAL USO, MANIPULACIÓN, NEGLIGENCIA O FALLA, ACCIDENTE, PRUEBAS INADECUADAS, INSTALACIÓN INADECUADA, ALMACENAMIENTO INADECUADO, MANEJO INADECUADO, ESTRÉS FÍSICO ANORMAL, CONDICIONES AMBIENTALES ANORMALES, INSTALACIÓN U OPERACIÓN INADECUADAS O USO CONTRARIO A CUALQUIER INSTRUCCIÓN EMITIDA POR HELIX; (B) HAYAN SIDO RECONSTRUIDOS, REPARADOS O ALTERADOS POR PERSONAS QUE NO SEAN TRUX O SUS REPRESENTANTES AUTORIZADOS; O (C) NO HAYAN RECIBIDO MANTENIMIENTO DE ACUERDO CON LOS PROCEDIMIENTOS DE MANTENIMIENTO ESTABLECIDOS EN EL DIAGRAMA DE CABLEADO, LAS ESPECIFICACIONES DEL PRODUCTO Y LA GUÍA DE COMPLETA DE INSTALACIÓN DE HELIX.

Todas las reclamaciones de garantía/devolución deben solicitarse a través de nuestro distribuidor autorizado de HELIX. HELIX solo procesará reclamaciones de un distribuidor autorizado de HELIX. Para obtener más información sobre la garantía/política de devolución, comuníquese con su distribuidor de HELIX.

Exclusión de otras garantías:

Aviso a los consumidores de Quebec

No obstante lo siguiente, la Ley de Protección al Consumidor (Quebec) otorga a los Consumidores (según se define en dicha Ley) la siguiente garantía legal sobre todos los bienes que compran o alquilan de un comerciante o fabricante. Los bienes deben ser:

- Aptos para los fines a que se destinan ordinariamente; y
- Duraderos en uso normal durante un período de tiempo razonable, que podrá variar según el precio pagado, los términos del contrato y las condiciones de uso.

EXCEPTUANDO LAS GARANTÍAS EXPRESAS ESTABLECIDAS ANTERIORMENTE EN "GARANTÍA", HELIX NO OFRECE NINGUNA GARANTÍA CON RESPECTO A LOS PRODUCTOS, INCLUYENDO CUALQUIER (A) GARANTÍA O CONDICIÓN DE COMERCIABILIDAD; (B) GARANTÍA O CONDICIÓN DE IDONEIDAD PARA UN PROPÓSITO PARTICULAR; O (C) GARANTÍA O CONDICIÓN DE CALIDAD O DE AUSENCIA DE DEFECTOS LATENTES, YA SEA EXPRESA O IMPLÍCITA POR LEY, CURSO DE NEGOCIO, CURSO DE EJECUCIÓN, USO DEL COMERCIO O DE OTRO MODO. EL COMPRADOR RECONOCE QUE NO SE HA APOYADO EN NINGUNA REPRESENTACIÓN, CONDICIÓN O GARANTÍA HECHA POR HELIX O CUALQUIER OTRA PERSONA EN NOMBRE DE HELIX.

Recursos y limitación de responsabilidad:

LA ÚNICA RESPONSABILIDAD DE HELIX Y EL RECURSO EXCLUSIVO DEL COMPRADOR EN VIRTUD DEL CONTRATO, AGRAVIO (INCLUIDA LA NEGLIGENCIA Y CULPA) O BAJO CUALQUIER OTRA TEORÍA CONTRA HELIX CON RESPECTO AL PRODUCTO Y SU USO SERÁ, A DISCRECIÓN DE HELIX, EL REEMPLAZO O LA REPARACIÓN DEL PRODUCTO, O EL REEMBOLSO DEL PRECIO DE COMPRA EN SU TOTALIDAD. EN NINGÚN CASO LA RESPONSABILIDAD DE HELIX QUE SURJA DE ESTA GARANTÍA O DE CUALQUIER OTRO RECLAMO RELACIONADO CON EL PRODUCTO HELIX EXCEDERÁ EL MONTO PAGADO POR EL PRODUCTO POR EL COMPRADOR. EN NINGÚN CASO SERÁ HELIX RESPONSABLE POR PÉRDIDAS DE GANANCIAS, EL COSTO DE EQUIPO O MANO DE OBRA SUSTITUTOS, DAÑOS A LA PROPIEDAD O DAÑOS ESPECIALES, DERIVADOS O INCIDENTALES BASADOS EN CUALQUIER RECLAMO POR INCUMPLIMIENTO DE CONTRATO, INSTALACIÓN INCORRECTA, NEGLIGENCIA, FALLA U OTRO RECLAMO, INCLUSO SI HELIX O UN REPRESENTANTE DE HELIX HA SIDO ADVERTIDO DE LA POSIBILIDAD DE DICHOS DAÑOS. HELIX NO TENDRÁ NINGUNA OTRA OBLIGACIÓN O RESPONSABILIDAD CON RESPECTO AL PRODUCTO O SU VENTA, OPERACIÓN Y USO, Y HELIX NO ASUME NI AUTORIZA LA ASUNCIÓN DE NINGUNA OTRA OBLIGACIÓN O RESPONSABILIDAD EN RELACIÓN CON DICHO PRODUCTO.

Ley aplicable:

SI USTED ES UN CONSUMIDOR (SEGÚN SE DEFINE EN LA LEY DE PROTECCIÓN AL CONSUMIDOR DE QUEBEC) RESIDENTE EN QUEBEC, ESTA GARANTÍA Y TODOS LOS DOCUMENTOS RELACIONADOS SE RIGEN POR LAS LEYES DE LA PROVINCIA DE QUEBEC Y LAS LEYES DE CANADÁ APLICABLES ALLÍ.

Salvo en la medida requerida por cualquier legislación de protección al consumidor aplicable, esta Garantía y todos los documentos relacionados se rigen por las leyes de la Provincia de Ontario y las leyes de Canadá allí aplicables. Además, es posible que tenga otros derechos legales que varían de una jurisdicción a otra. En la medida en que la legislación de protección al consumidor de su provincia o territorio prevalezca sobre la presente Garantía ("Ley aplicable"), sus derechos serán determinados por la Ley aplicable a usted.

Ninguna parte de este documento puede ser reproducida o transmitida en ninguna forma sin el permiso por escrito del autor. © 2025 YourTruckShop Inc. Todos los derechos reservados.